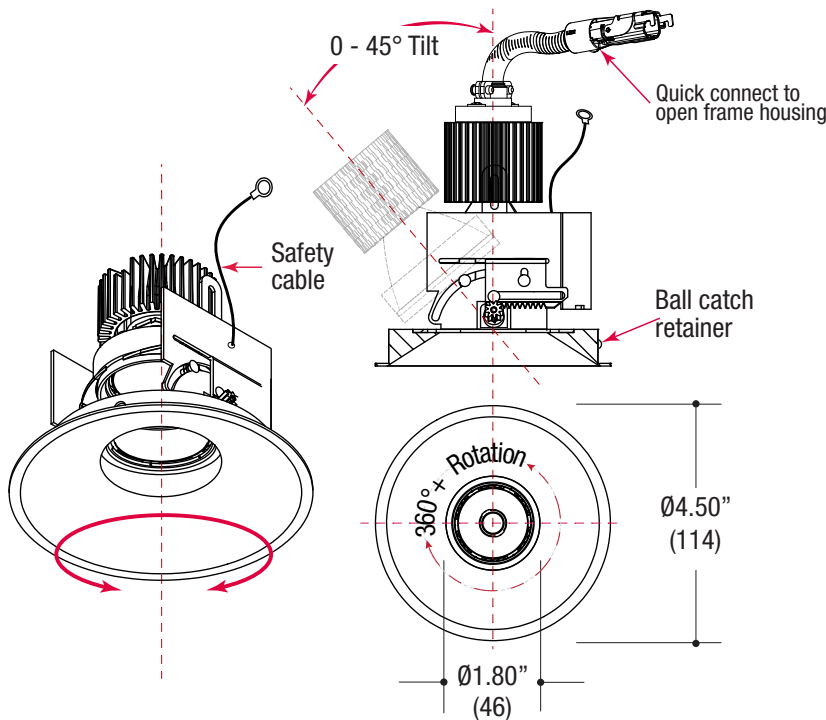


PROJECT	TYPE	CATALOG NUMBER
---------	------	----------------

8421RM

ROUND ADJUSTABLE BEVEL ACCENT - The VF100 **Max-A™** Series of recessed downlight and open frame housing configurations represent the pinnacle of innovation and design of small aperture products for the architectural industry. These fixtures meet and exceed the needs of today's lighting designers and specifiers for small recessed fixtures that perform.

Measurements in () are metric equivalents.



Specifications

ROUND DOWNLIGHT

- Recessed adjustable downlight
- 4.50" round beveled die-cast aluminum trim
- Small 1.80" round aperture
- .25" face trim
- Accepts up to 2 or more optical accessories
- Ball catch retainer for easy trim insertion and removal with safety cable included
- Powder coat finish

5 YEAR WARRANTY
Limited

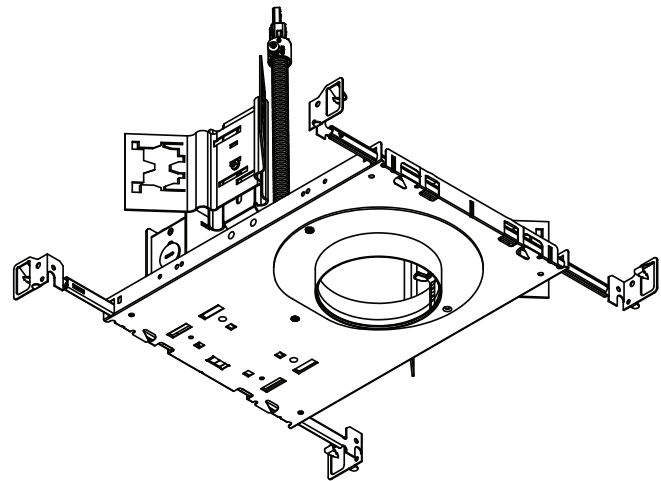
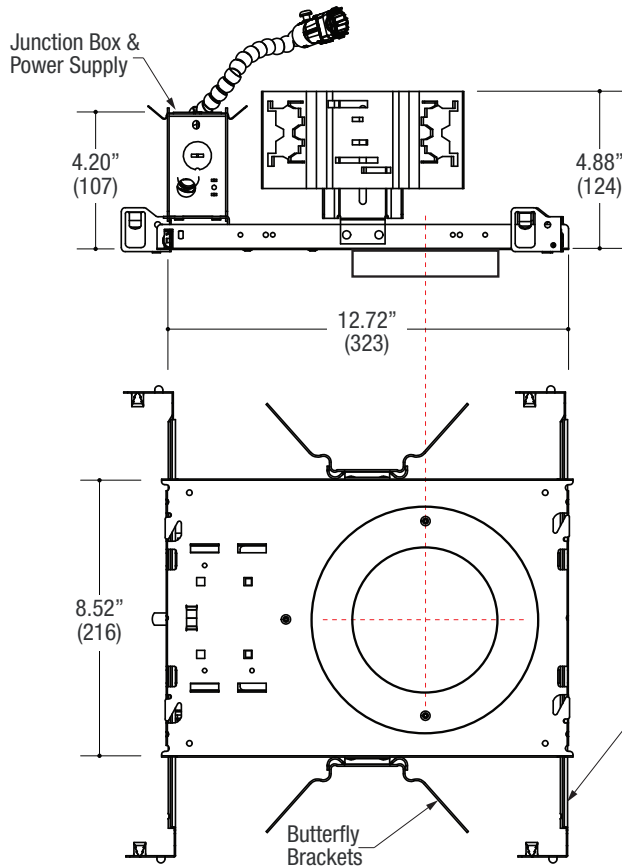


TRIM ORDERING INFO

TRIM SERIES	LED MODULE INFORMATION	CRI / COLOR	BEAM	TRIM FINISH	OPTIONS
8421RM Open Frame Housing 4.50" ROUND Small Aperture Die-Cast Bevel Trim Adjustable Downlight	09C 09W LED / 900lm nom. 14C 14W LED / 1200lm nom. 20C 20W LED / 1600lm nom.	8027 80CRI / 2700K 8030 80CRI / 3000K 8035 80CRI / 3500K 8040 80CRI / 4000K 9527 95CRI / 2700K 9530 95CRI / 3000K 9535 95CRI / 3500K 9540 95CRI / 4000K	N Narrow 16° M Medium 28° (Use lay-in film for wide distributions)	MB Black MW White XX Custom	CL Clear Lens DL Diffused Lens DF Diffused Film WF Wide Distribution Film

Example: **8421RM-20C-9530-N-MB-CL**

Measurements in () are metric equivalents.



(VOR-1BN-T)
SMALL SIZE
OPEN FRAME HOUSING

Hanger Bars Included

Specifications

5 YEAR WARRANTY
 Limited



ROUND TRIMMED HOUSING

- Open frame housing of galvanized and aluminum construction
- **Ceiling Cut-out - Ø4.18"**

ELECTRICAL

- Field-replaceable integral LED driver
- Electrical wiring compartment integrated into housing construction
- Internal thermal protection
- Easy maintenance access through ceiling opening
- Rated for through-branch wiring
- Optional dimming

MOUNTING

- Butterfly brackets for commercial installation in drywall, wood, stone, acoustic tile, or other ceiling types
- Perforated plate adjusts for 1/2", 5/8", 3/4" & 7/8" ceiling thickness
- Includes standard hanger bar attachments for residential installation
- Heavy duty **L-Bars™** hanger bar system ordered separately
LF #LBARS4PK

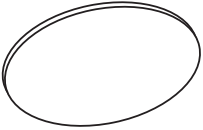
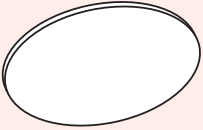
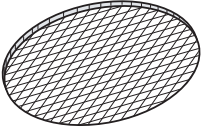
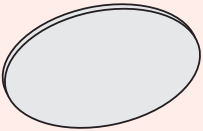
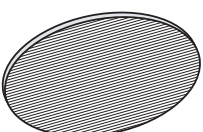
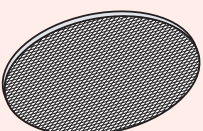
LABELS

- Suitable for damp location, except when ordered with shower trim - Suitable for wet location

HOUSING ORDERING INFO

SERIES	GREE	DRIVER	VOLTAGE	OPTIONS
VOR-1BN-T Small Round Trimmed Open Frame New Construction Housing	09C 09W LED 14C 14W LED 20C 20W LED	D1 Phase Dimming (120V only) D2 0-10V Dimming (120-277V only)	1 120V U 120-277V	EM Remotely Mounted Emergency Inverter

Ordering Example: **VOR-1BN-T-20C-D2-U-EM**

OPTICAL ACCESSORY	DESCRIPTION	LIGHT SOURCE
		MINI / SMALL
		<ul style="list-style-type: none"> • MR16 • CMHMR16 • 50mm LED
	Clear Lens	OPTB-CLR Ø2.00" (51mm) nom.
	Clear Lens - LED Film	OPTB-L-CLR Ø2.00" (51mm) nom.
	UV Lens	OPTB-UVL Ø2.00" (51mm) nom.
	Hex Cell Louver	OPTB-HXL Ø2.00" (51mm) nom.
	Diffusion Lens	OPTB-DFL Ø2.00" (51mm) nom.
	Diffusion Lens - LED Film	OPTB-L-DFL Ø2.00" (51mm) nom.
	Linear Spread Lens	OPTB-LSL Ø2.00" (51mm) nom.
	Linear Spread Lens - LED Film	OPTB-L-LSL Ø2.00" (51mm) nom.
	Prismatic Spread Lens	OPTB-PSL Ø2.00" (51mm) nom.

* Other filters, colored glass, dichroics & micro-lenses available upon request