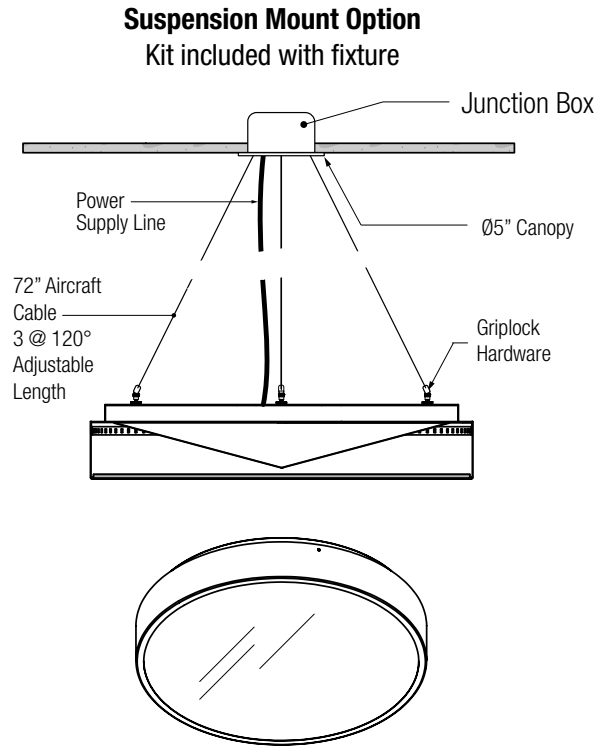
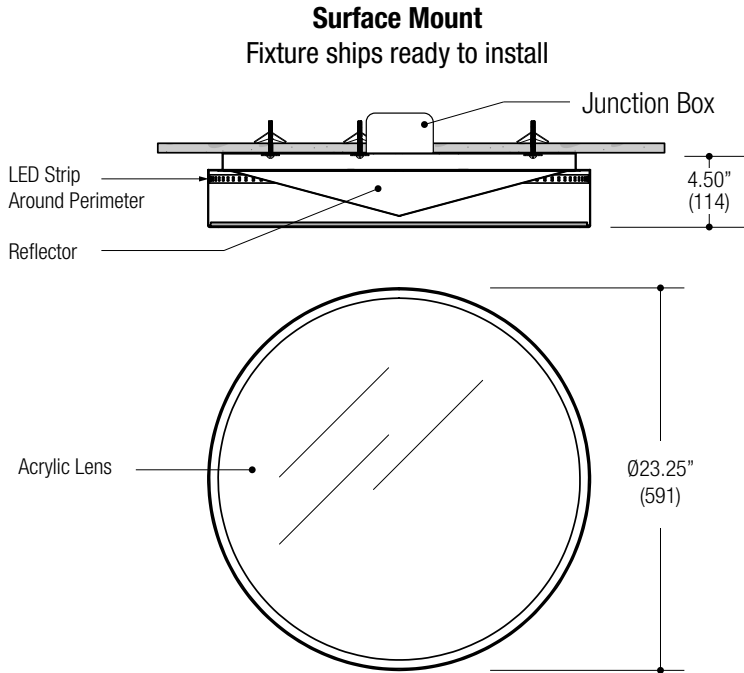


PROJECT	TYPE	CATALOG NUMBER
---------	------	----------------

Measurements in () are metric equivalents.



CONSTRUCTION

- Surface-mount or Suspended ceiling
- Ø 24" nominal sheet metal housing
- Bright white cone reflector
- Integral driver enclosure
- Powder coat finish

LED Source

- Ø74" Flex-LED strip - perimeter mounted

ELECTRICAL

- Field accessible junction box wiring and power supply enclosure, access from below.
- Integral thermal protection
- Easy maintenance access

MOUNTING

- Directly to junction box.
- Suspension kit included with adjustable aircraft cables

LABELS

- Suitable for damp location



ORDERING INFO

SERIES	WATTAGE	CRI / COLOR	LENS	DRIVER	FINISH
SRF-R24 DISCUS SURFACE ROUND 24" Diameter	24L 24W LED 2303 lm del.	8027 80CRI / 2700K 8030 80CRI / 3000K 8035 80CRI / 3500K	LN Satin white acrylic lens OR Orange acrylic lens	D2U 0-10V Dimming (120-277V only) D31 Lutron Hi-lume™ Forward Phase 2 wire 1% (120V only) DEU Lutron Hi-lume™ EcoSystem™ 1% with Soft-On, Fade-to-Black™ (@ 120-277V only)	BB Black WW White CH Charcoal Grey
	49L 49W LED 4605 lm del.	8040 80CRI / 4000K 9027 90CRI / 2700K 9030 90CRI / 3000K			
	61L 61W LED 5757 lm del.				
	Delivered @ 80CRI / 3000K with LN Lens				
SRF-R24					

Ordering Example: **SRF-R24-24L-8030-LN-D2U-BB**