

Warnings:

- * Risk of fire or electric shock.
- * **Disconnect all power before installing or servicing.**
- * Installation Instructions for qualified electricians only.
- * Install per National Electrical Code and local regulations.
- * Read Installation Instructions completely before installation.
- * Failure to follow Installation Instructions may void warranties.

DISCUS SRF-R24 SURFACE INSTALLATION INSTRUCTIONS



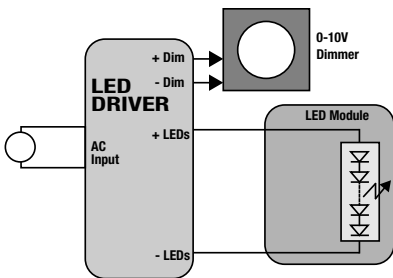
THIS PRODUCT MUST BE INSTALLED IN ACCORDANCE WITH THE APPLICABLE INSTALLATION CODE BY A PERSON FAMILIAR WITH THE CONSTRUCTION AND OPERATION OF THE PRODUCT AND THE HAZARDS INVOLVED.

ELECTRICAL CONNECTION:

DO NOT modify the factory wiring settings as it may cause the luminaire to malfunction. Provide electrical service, according to the "National Electrical Code" or your local electrical code, from a suitable junction box.

WIRING: Wiring connection feed from the J-box is to be terminated in the fixture.

0-10V DIMMING: For 0-10V dimming applications, note that 2 additional control wires (Purple & Grey) are required to be pulled from the dimmer or interface to the fixture wiring enclosure (5 wires total).



HOUSING INSTALLATION:

- Step 1** Install J-box mounting hardware provided.
- Step 2** Remove Hex nipple from coupling.
- Step 3** Screw 1" nipple (All thread) into J-box mounting strap (approx. 4 threads deep).
- Step 4** Attached upper housing to junction box by using hex coupling and tighten securely in place, making all required electrical connections.
- Step 5** The upper housing also fastens to ceiling using hardware determined appropriate for field conditions by installer (3 locations @ 120°). **See figure 1**
- Step 6** Install reflector into upper housing. Align wireway slot in reflector with lead wires to LED.
- Step 7** Install lower housing to upper housing and attach using hardware provided (3 locations @ 120°).

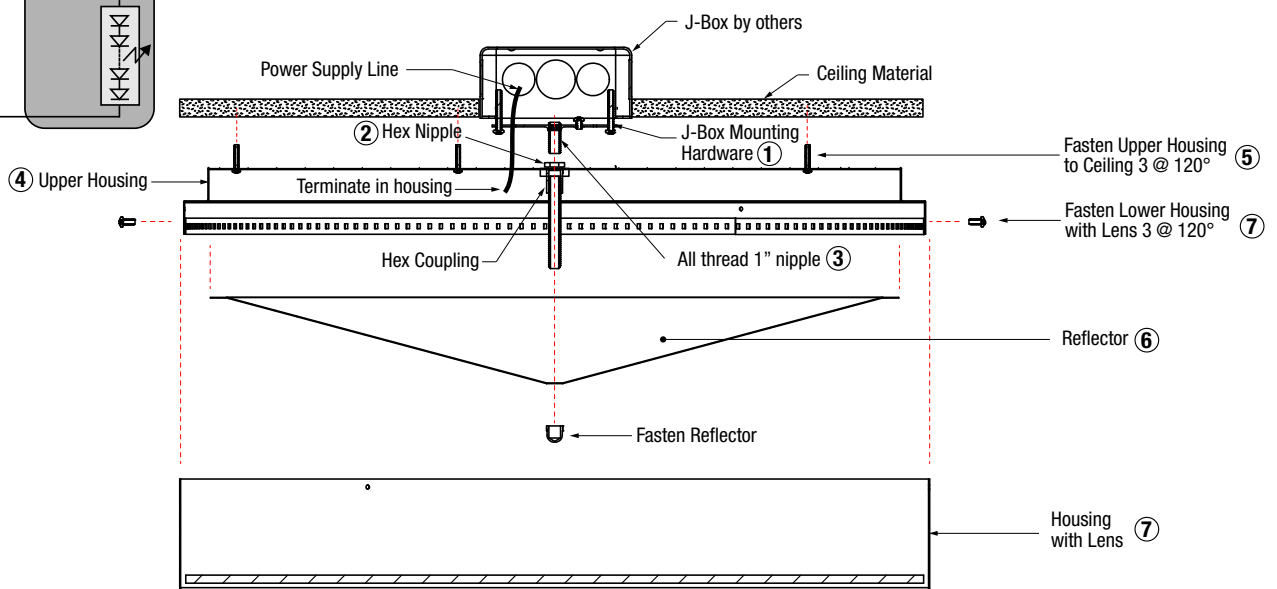
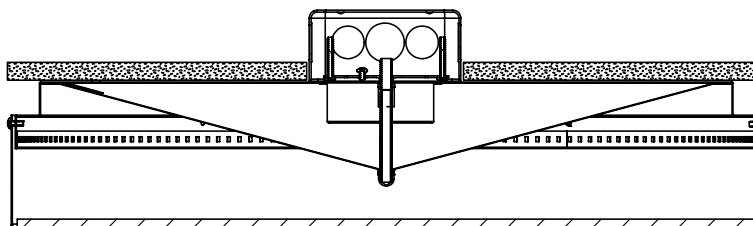


FIGURE 1



Warnings:

- * Risk of fire or electric shock.
- * **Disconnect all power before installing or servicing.**
- * Installation Instructions for qualified electricians only.
- * Install per National Electrical Code and local regulations.
- * Read Installation Instructions completely before installation.
- * Failure to follow Installation Instructions may void warranties.

DISCUS SRF-R24 SUSPENDED INSTALLATION INSTRUCTIONS



THIS PRODUCT MUST BE INSTALLED IN ACCORDANCE WITH THE APPLICABLE INSTALLATION CODE BY A PERSON FAMILIAR WITH THE CONSTRUCTION AND OPERATION OF THE PRODUCT AND THE HAZARDS INVOLVED.

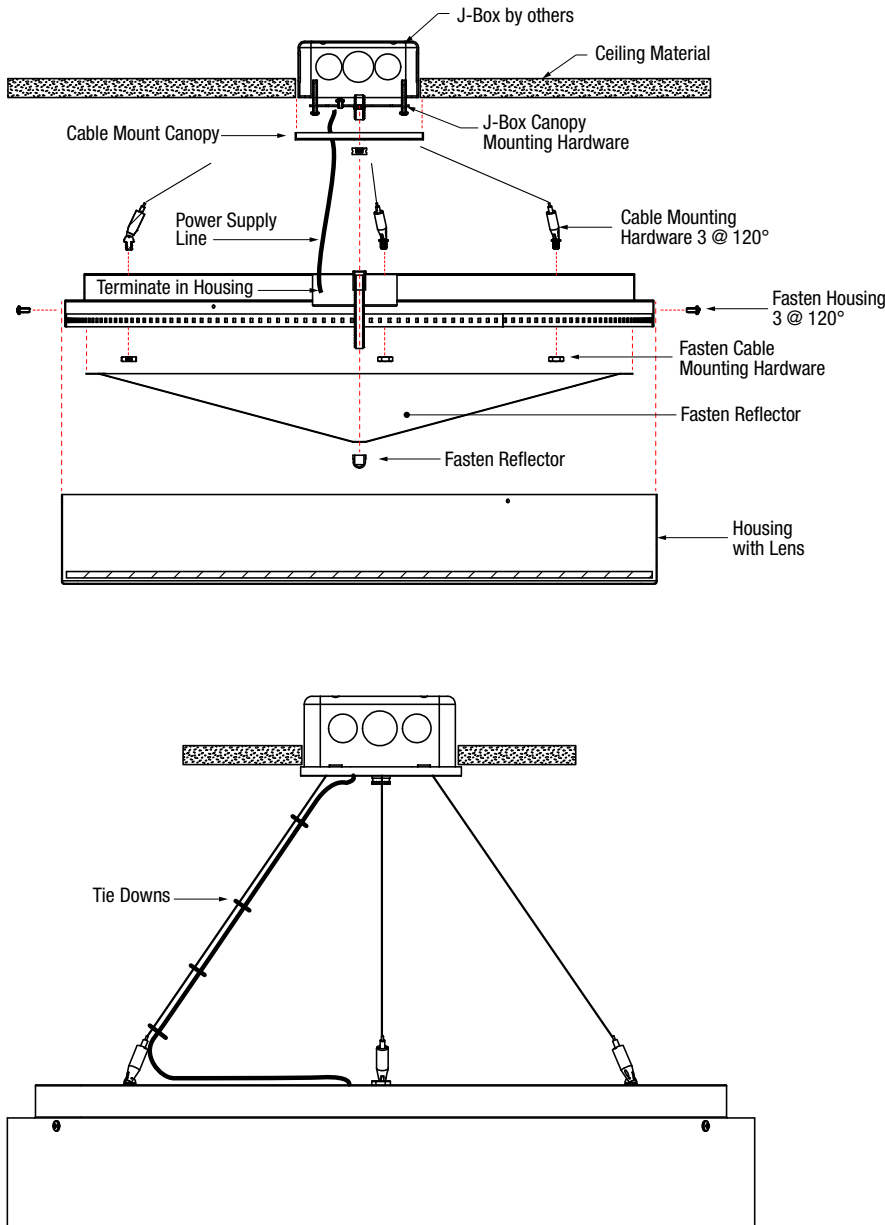


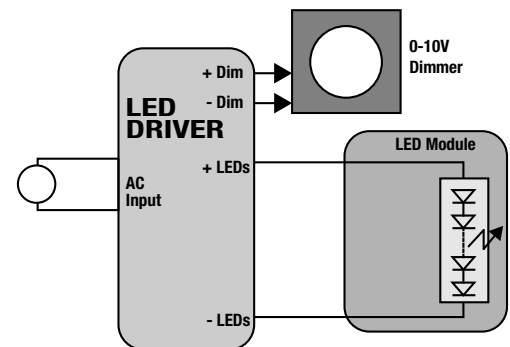
FIGURE 1

ELECTRICAL CONNECTION:

DO NOT modify the factory wiring settings as it may cause the luminaire to malfunction. Provide electrical service, according to the "National Electrical Code" or your local electrical code, from a suitable junction box.

WIRING: Wiring connection feed from the J-box is to be terminated in the fixture.

0-10V DIMMING: For 0-10V dimming applications, note that 2 additional control wires (Purple & Grey) are required to be pulled from the dimmer or interface to the fixture wiring enclosure (5 wires total).



HOUSING INSTALLATION:

- Step 1** Install cable mounting hardware to upper housing and canopy using hardware provided.
- Step 1** Install J-box canopy mounting hardware.
- Step 2** Mount canopy to junction box mounting hardware and making all required electrical connections. Wire tie downs provided for power line.
- Step 3** Install reflector into upper housing. Align wireway slot in reflector with lead wires to LED.
- Step 4** Install lower housing to upper housing and attach using hardware provided (3 locations @ 120°).