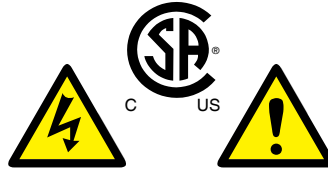
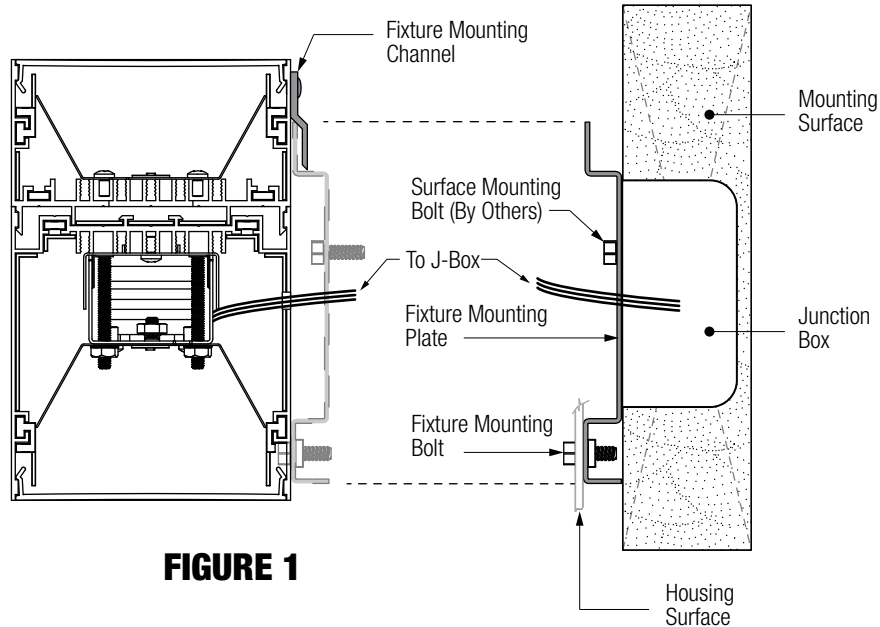


## Warnings:

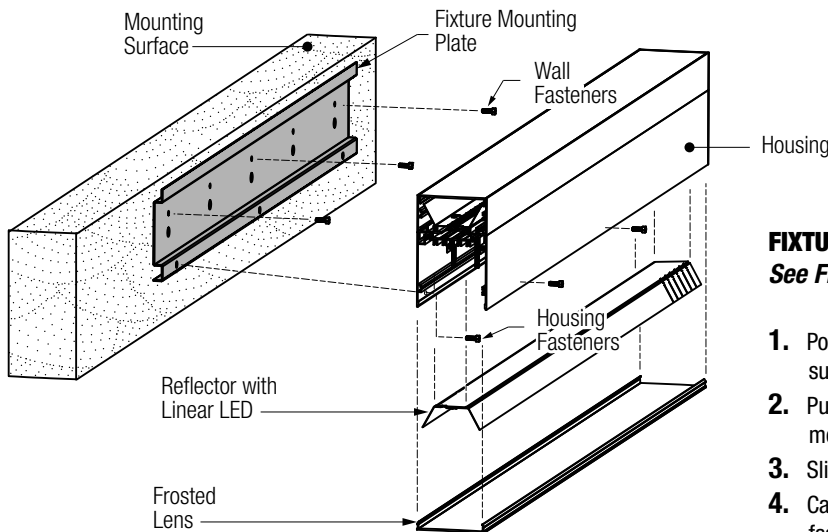
- \* Risk of fire or electric shock.
- \* **Disconnect all power before installing or servicing.**
- \* Installation Instructions for qualified electricians only.
- \* Install per National Electrical Code and local regulations.
- \* Read Installation Instructions completely before installation.
- \* Failure to follow Installation Instructions may void warranties.



THIS PRODUCT MUST BE INSTALLED IN ACCORDANCE WITH THE APPLICABLE INSTALLATION CODE BY A PERSON FAMILIAR WITH THE CONSTRUCTION AND OPERATION OF THE PRODUCT AND THE HAZARDS INVOLVED.



**FIGURE 1**



**FIGURE 2**

### LED PRODUCTS:

- LEDs are ESD (Electro Static Discharge) sensitive devices that can be easily damaged if the proper ESD mitigating steps are not taken.
- LEDs are very sensitive to mechanical damage. CAUTION MUST BE TAKEN TO AVOID DAMAGE TO THE LEDs.
- ESD or mechanical damage voids all warranties.

### FIXTURE MOUNTING:

*See Figure 1*

1. Position fixture mounting plate against pre-determined junction box surface locations and fixture height.
2. Pull electrical requirements through mounting plate and secure mounting plate to surface using appropriate wall fasteners.
3. Slip fixture channel side up and over onto fixture mounting plate.
4. Carefully remove (un-snap) lens, bottom reflector with linear LED and fasten housing to mounting plate from inside of housing using hardware provided (*See Figure 2*).
5. Make all necessary electrical connections and re-assemble bottom reflector with linear LED and snap lens back in place.