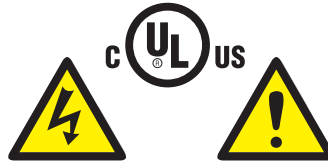


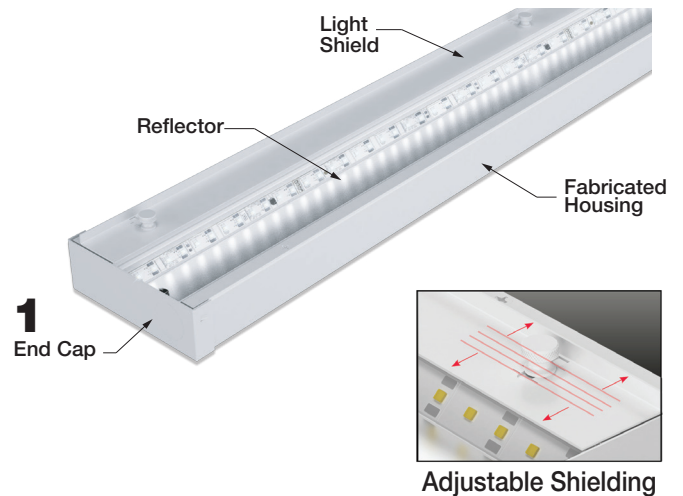
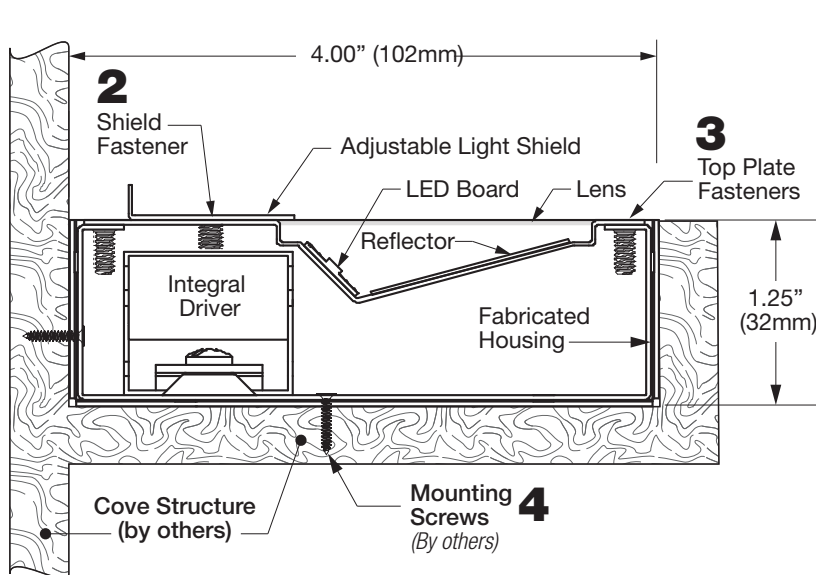
Warnings:

- Risk of fire or electric shock.
- **Disconnect all power before installing or servicing.**
- Installation Instructions for qualified electricians only.
- Install per National Electrical Code and local regulations.
- Read Installation Instructions completely before installation.
- Failure to follow Installation Instructions may void warranties.

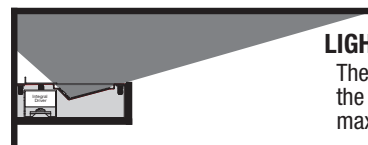


THIS PRODUCT MUST BE INSTALLED IN ACCORDANCE WITH THE APPLICABLE INSTALLATION CODE BY A PERSON FAMILIAR WITH THE CONSTRUCTION AND OPERATION OF THE PRODUCT AND THE HAZARDS INVOLVED.

NOTE: ALL WORK MUST BE DONE WITH CIRCUIT OFF AND COMPONENTS SHOULD NOT BE INSTALLED WHEN CIRCUIT IS ENERGIZED.

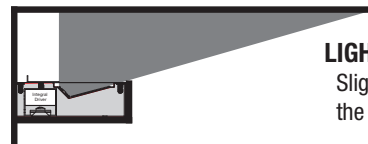


ADJUSTABLE LIGHT SHIELDING



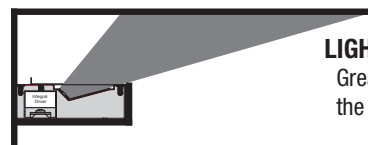
LIGHT SHIELD / NO CUT-OFF

The most possible light output from the fixture. This position provides maximum throw in both directions



LIGHT SHIELD / HALF CUT-OFF

Slightly reduced light output toward the back of the fixture



LIGHT SHIELD / FULL CUT-OFF

Greatly reduced light output toward the back of the fixture

COVE INSTALLATION:

COVE APPLICATION: It is recommended that the cove construction (by others) meet the minimum requirement of 4.125" (105mm) width x 1.25" (32mm) depth x optional run lengths (see specification sheet).

MOUNTING:

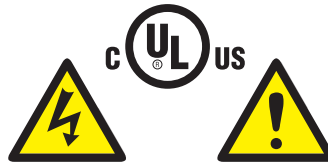
1. Remove the end caps using a flat head screwdriver releasing from housing tabs.
2. Remove the adjustable light shield by unfastening the phillips set screw, slide shield out from tabs and remove lens.
3. Remove phillips head screws from the top plate located on both edges of housing and LIFT OFF USING CAUTION NOT TO DISTURB THE LED STRIP.
4. Fasten the housing down using the appropriate mounting hardware (by others) for cove material along the bottom and back side of housing.
5. Remove protective film from lens. Make all electrical connections and re-install top plate, lens and light shield.

SHIELD ADJUSTMENT: *(If required)*

- Loosen the phillips set screw on the light shield.
- Observing the light distribution, slide shield back and fourth to the desired cut-off and tighten set screw to fasten in place.

Warnings:

- Risk of fire or electric shock.
- **Disconnect all power before installing or servicing.**
- Installation Instructions for qualified electricians only.
- Install per National Electrical Code and local regulations.
- Read Installation Instructions completely before installation.
- Failure to follow Installation Instructions may void warranties.



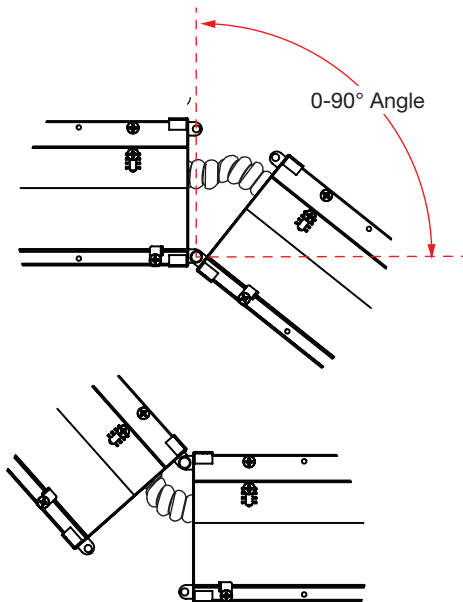
THIS PRODUCT MUST BE INSTALLED IN ACCORDANCE WITH THE APPLICABLE INSTALLATION CODE BY A PERSON FAMILIAR WITH THE CONSTRUCTION AND OPERATION OF THE PRODUCT AND THE HAZARDS INVOLVED.

NOTE: ALL WORK MUST BE DONE WITH CIRCUIT OFF AND COMPONENTS SHOULD NOT BE INSTALLED WHEN CIRCUIT IS ENERGIZED.

ELECTRICAL INSTALLATION: Each run length is provided with quick-disconnects for continuous run applications. Joiner kits are provided with an armored conduit electrical whip. Knock outs at end caps provide for electrical source entry at either end of run.

ELBOW JOINER KIT

- Elbow joiner for curved / angled applications
- 0-90° joint motion
- Top or bottom pin locations for reverse action

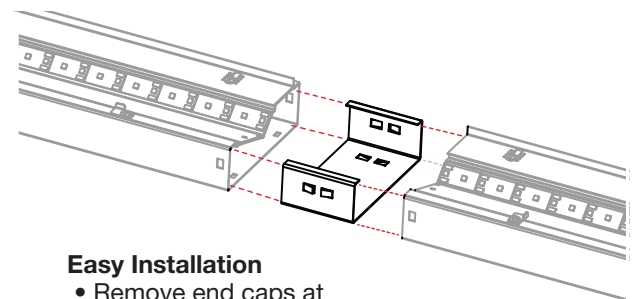
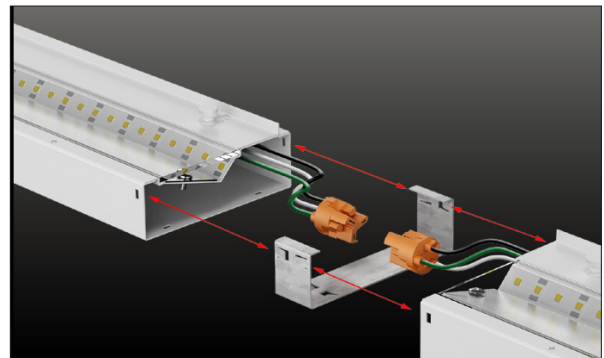


Kit Includes

- 2 End Caps
- 1 Hinge Pin
- 1 Cotter Key
- Armored Conduit Electrical Whip

STRAIGHT JOINER KIT

- Smooth continuous run applications
- Easy snap-in joiner
- Quick-disconnects power supply



Easy Installation

- Remove end caps at fixture ends to be joined
- Slide joiner inside
- Locks in place