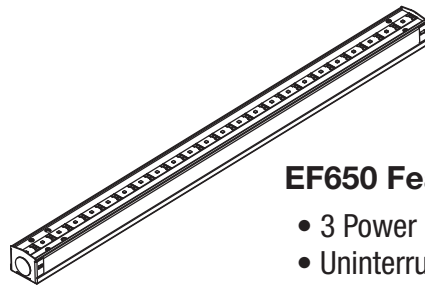
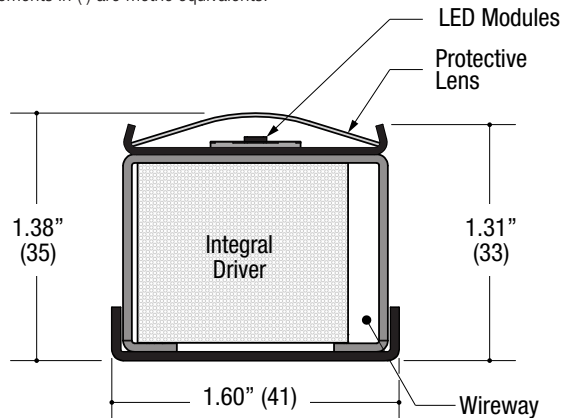


PROJECT	TYPE	CATALOG NUMBER
---------	------	----------------

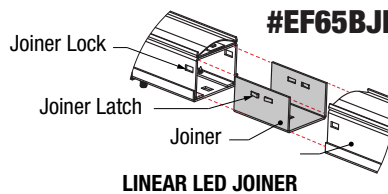
Measurements in () are metric equivalents.



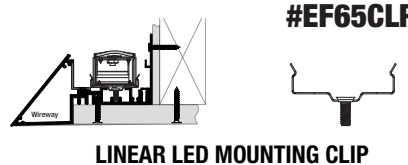
EF650 Features

- 3 Power levels up to 1130 del. lumens
- Uninterrupted illumination
- End-to-end continuous run

JOINER AND MOUNTING OPTIONS



#EF65BJN
LINEAR LED JOINER
Slips inside channel for uninterrupted illumination continuous runs.



#EF65CLP
LINEAR LED MOUNTING CLIP
Spring clip mounts to EF200 Series channels. (EFK1 & EFK2)

CONSTRUCTION

- 1.60" (41) wide x 1.38" (35) tall fabricated metal housing with protective lens
- Powder coat finish

LED Source

- Available at three power levels up to 1130 del. lumens per foot
- Tight binning ensures color consistency within 2 MacAdam ellipses
- Dense pitch for uniform output

OPTICS

- Symmetric distribution / protective lens

ORDERING INFO

ELECTRICAL

- Field-replaceable integral LED driver
- Integral wiring compartment in housing
- Integral thermal protection
- Quick disconnect through wiring for continuous runs



MOUNTING

- Surface mount intended for installation in EF200 using #EF65CLP clip
- EF65CLP: 2X included for fixtures 4' or less, 3X included over 4' lengths
- Joiner option for end-to end continuous uninterrupted illumination. 2 end caps provided for all run lengths ordered

LABELS

- Suitable for damp location

SERIES	WATTAGE / FT	CRI / COLOR	LENS	DRIVER	LENGTH	VOLTAGE	FINISH
EF65-B	04F* 04W LED 452 del. lm / ft	8027 80CRI / 2700K 8030 80CRI / 3000K	PL	D2 0-10V Dim. Driver (@ 120-277V only)	018* 18" 1.5ft 024 24" 2ft	1 120V	WW White
EF650 Small LED Surface mount	08F 08W LED 904 del. lm / ft	8035 80CRI / 3500K 8040 80CRI / 4000K 9027 90CRI / 2700K 9030 90CRI / 3000K 9035 90CRI / 3500K	Protective Lens	D3 Lutron Hi-lume™ Forward Phase 1% (@ 120V only) DE* Lutron Hi-lume™ EcoSystem™ 1% with SoftOn, Fade-to-Black™ (@ 120-277 only) D8 Dimmable DALI 1% LED driver (@ 120-277 only)	036 36" 3ft 048 48" 4ft 060 60" 5ft 072 72" 6ft 096 96" 8ft	U 120-277V	
	Delivered @ 80CRI / 3000K	Consult factory for other CRI / Color options			<small>* 018 Length not available when both 04F LED engine & DE driver selections are chosen together</small>		
EF65-B			PL				WW

Ordering Example: **EF65-B-04F-8027-PL-D2-048-U-WW**