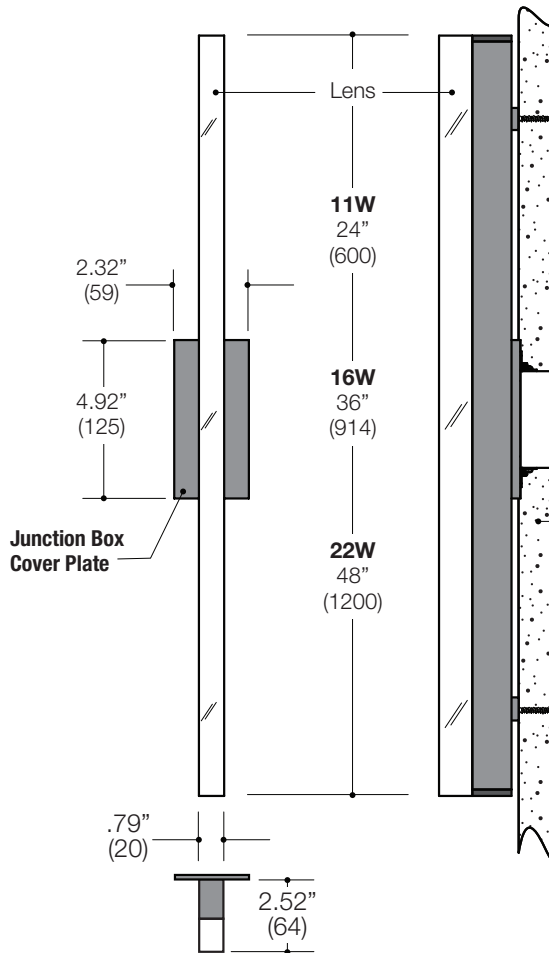


PROJECT	TYPE	CATALOG NUMBER
---------	------	----------------

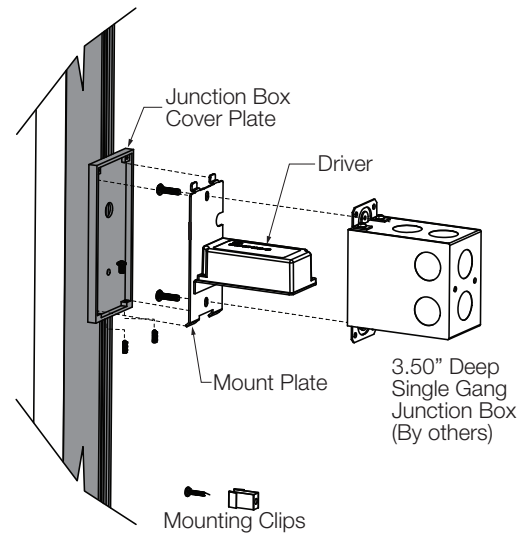
Measurements in ( ) are metric equivalents.



### WALL / CEILING MOUNT OPTION 1 3.50" Deep Single Gang Junction Box

"US" Standard  
3.50" Deep Single Gang  
Junction Box  
(By others)

Surface



## Specifications

### CONSTRUCTION

- Die formed linear LED housing
- Molded satin acrylic lens
- Powder coat finish

### LED SOURCE

- LED strip linearly mounted
- 11W / 702lm, 90CRI / 3000K - 24" Length
- 16W / 1053lm, 90CRI / 3000K - 36" Length
- 22W / 1404lm, 90CRI / 3000K - 48" Length

### ELECTRICAL

- Field accessible junction box wiring with driver enclosure
- Integral thermo protection

### MOUNTING: Ceiling or Wall

- Surface Mount to Single Gang Junction Box
- Surface Mount to Octagon Junction Box
- Surface Mount with Remote Driver

### LABELS

- Suitable for damp location

## 3 MOUNTING OPTIONS

### ORDERING INFO

SERIES	WATTAGE / SIZE	CRI / COLOR	POWER SUPPLY	FINISH
<b>GSSL</b> GlowSTX™ Linear Surface Mount Ambient Lighting	<b>11L</b> 24" Length 11W LED / 702lm (@ 90CRI min / 3000K)	<b>9030</b> 90CRI / 3000K  (Other color temperatures available with special orders)	<b>DMU</b> Dimming Multiple Forward/Reverse Phase (@ 120V only) 0-10V Wires Present (@ 120-277V)	<b>SS</b> Silver  (White or Black finish available with special orders)
	<b>16L</b> 36" Length 16W LED / 1053lm (@ 90CRI min / 3000K)			
	<b>22L</b> 48" Length 22W LED / 1404lm (@ 90CRI min / 3000K)			
<b>GSSL</b>				

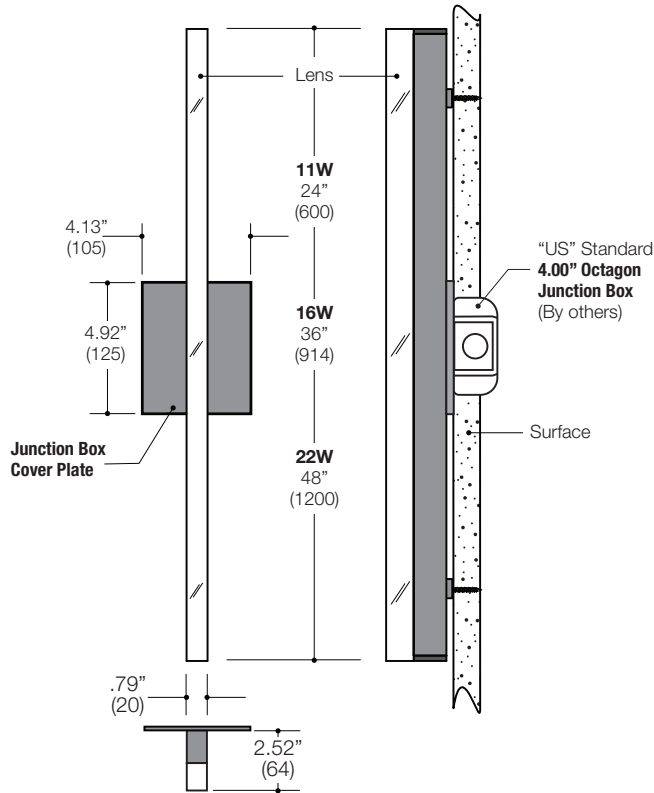
Ordering Example: **GSSL-11L-9030-DMU-SS**



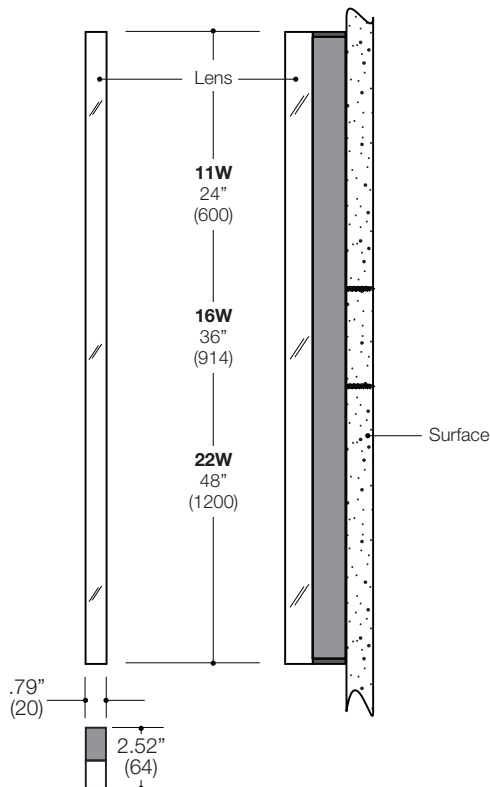
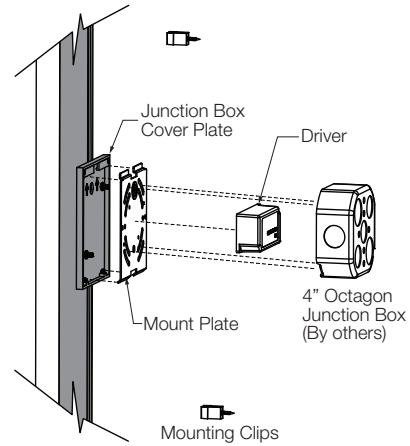
**5 YEAR  
WARRANTY**

Limited

Measurements in ( ) are metric equivalents.



### WALL / CEILING MOUNT OPTION 2 4.00" Octagon Junction Box



### WALL / CEILING MOUNT OPTION 3 Surface Mount with Remote Driver

