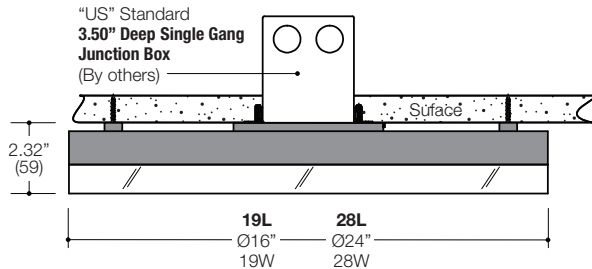
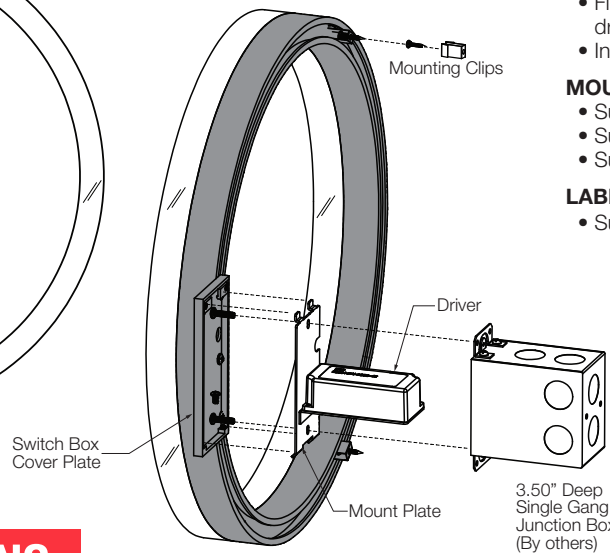
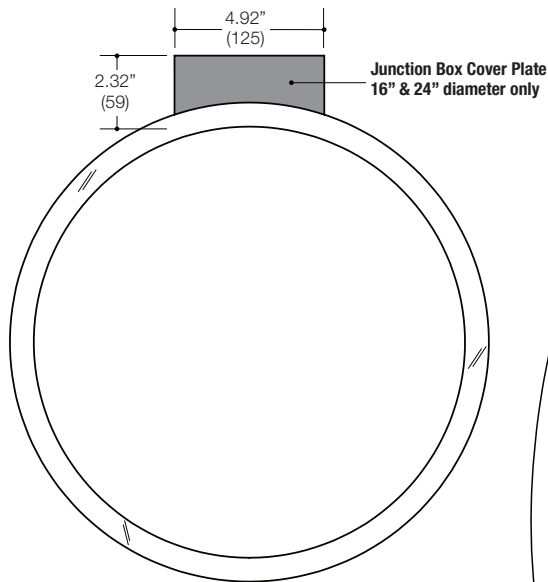


PROJECT	TYPE	CATALOG NUMBER
---------	------	----------------

Measurements in () are metric equivalents.



WALL / CEILING MOUNT OPTION 1 3.50" Deep Single Gang Junction Box



Specifications

CONSTRUCTION

- Die formed circular steel LED housing
- Molded satin acrylic lens
- Powder coat finish

LED SOURCE

- LED strip circumferentially mounted
- 19W / 1206lm, 90CRI / 3000K - 16" Diameter
- 28W / 1845lm, 90CRI / 3000K - 24" Diameter
- 32W / 2304lm, 90CRI / 3000K - 32" Diameter
- 47W / 2965lm, 90CRI / 3000K - 48" Diameter
- 60W / 3748lm, 90CRI / 3000K - 60" Diameter

ELECTRICAL

- Field accessible junction box wiring with driver enclosure
- Integral thermo protection

MOUNTING

- Surface Mount to Single Gang Junction Box
- Surface Mount to Octagon Junction Box
- Surface Mount with Remote Driver

LABELS

- Suitable for damp location

3 MOUNTING OPTIONS

5 YEAR WARRANTY
Limited

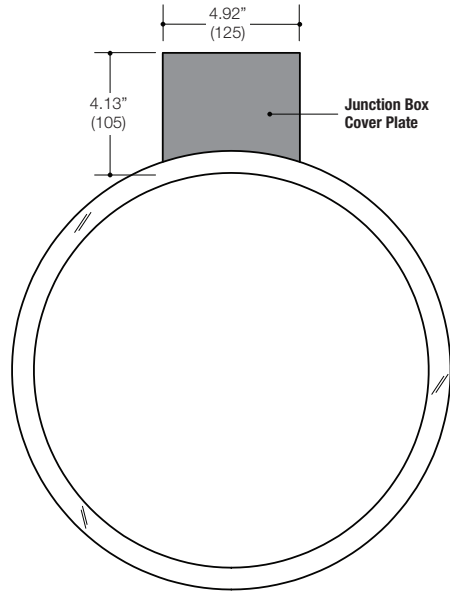
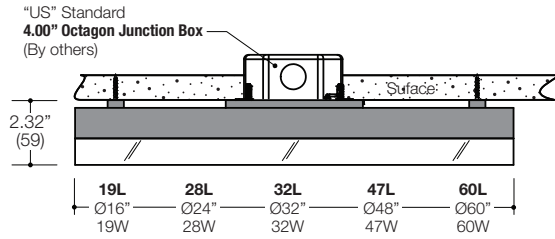


ORDERING INFO

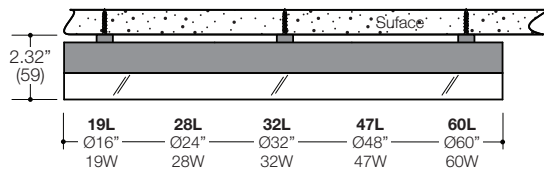
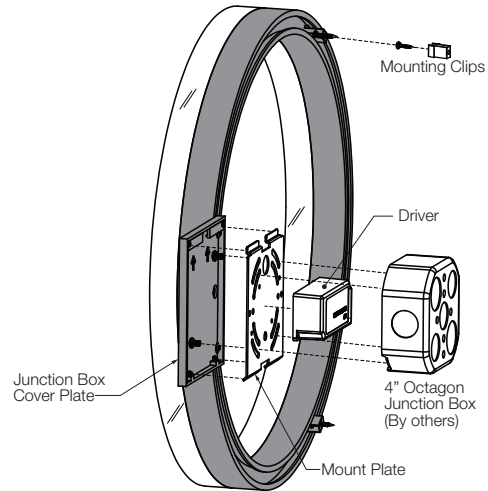
SERIES	WATTAGE / SIZE	CRI / COLOR	POWER SUPPLY	FINISH
GSSR GlowSTX™ Ringer Surface Mount Ambient Lighting	19L 16" diameter 19W LED / 1206lm (@ 90CRI min / 3000K)	9030 90CRI / 3000K (Other color temperatures available with special orders)	DMU Dimming Multiple Forward/Reverse Phase (@ 120V only) 0-10V Wires Present (@ 120-277V) *Not available in 60L - 60" Ring	SS Silver (White or Black finish available with special orders)
	28L 24" diameter 28W LED / 1845lm (@ 90CRI min / 3000K)			
	32L 32" diameter 32W LED / 2304lm (@ 90CRI min / 3000K)			
	47L 48" diameter 47W LED / 2965lm (@ 90CRI min / 3000K)			
	60L 60" diameter* 60W LED / 3748lm (@ 90CRI min / 3000K)			
GSSR			D2U 0-10V Dimming (@ 120-277V) 60L - 60" Ring Only	

Ordering Example: **GSSR-28L-9030-DMU-SS**

Measurements in () are metric equivalents.



WALL / CEILING MOUNT OPTION 2 4.00" Octagon Junction Box



WALL / CEILING MOUNT OPTION 3 Surface Mount with Remote Driver

