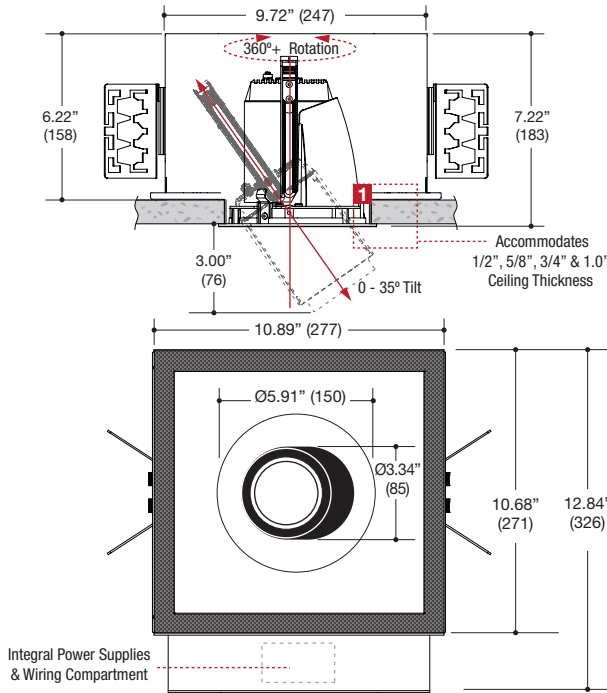
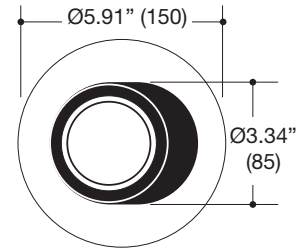
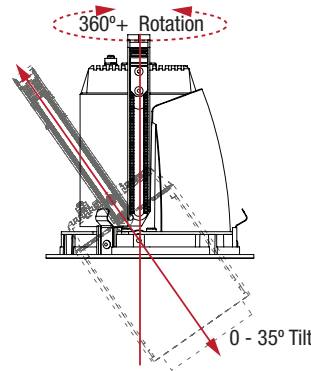
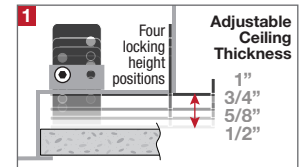


PROJECT	TYPE	CATALOG NUMBER
---------	------	----------------



Designed by Walter Amort, Registered Design



DOWNLIGHT

- Recessed adjustable downlight
- Die-cast aluminum trim
- 0°-35° lockable tilt aiming
- 360°+ rotation
- Retractable mechanism for up to 3" pulldown
- Powder coat finish

HOUSING

- All steel construction
- Powder coat finish
- **Ceiling Cut-Out - Ø5.25"**

LAMPS (not included)

- 120V PAR20 Halogen 50W max - Derate Labels Available
- PAR20MH 20W or 39W
- Accepts up to 2 or more optical accessories dependent on lamp

ELECTRICAL

- Integral metal halide ballast (no power supply for line voltage lamps)
- Electrical wiring compartment integrated into housing construction
- Thermal protection
- Easy maintenance access through ceiling opening
- Rated for through-branch wiring
- Dimmable (line voltage only)

MOUNTING

- Butterfly brackets for commercial installation in drywall, wood, stone, acoustic tile, or other ceiling types
- Perforated plate adjusts for 1/2", 5/8", 3/4" & 1.0" ceiling thickness
- Heavy-Duty **L-Bars™** hanger bar system ordered separately
LF #LBARS4PK

LABELS

- Suitable for damp location

Patent Pending



ORDERING INFO

SERIES	WATTAGE / LAMP	POWER SUPPLY	VOLTAGE	FINISH	OPTIONS
6121-1CN-T IRIDE Recessed Die-Cast Aluminum Trim Adjustable Accent Trimmed Fixture New Construction Housing	020PR20X PAR20 20W max	EB Electronic Metal Halide Ballast	1 120V 2 277V	BB Black WW White	CP Chicago Plenum EM Emergency Relay
	040PR20X PAR20 40W max				
	050PR20X PAR20 50W max	NA None - Line voltage lamps			
	020CR20X PAR20MH 20W				
039CR20X PAR20MH 39W					
	015PR20X PAR20 15W LED Retrofit				

Ordering Example: **6121-1CN-T-050PR20X-NA-1-WW-CP**