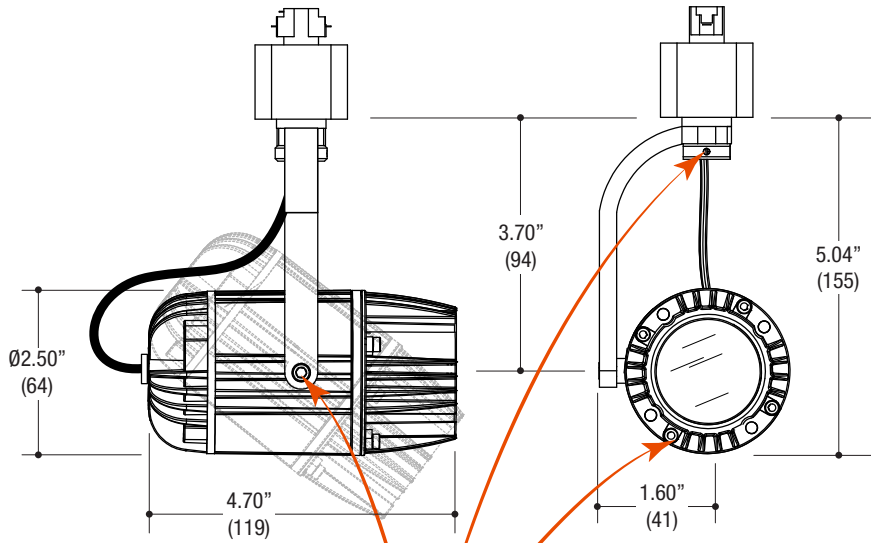
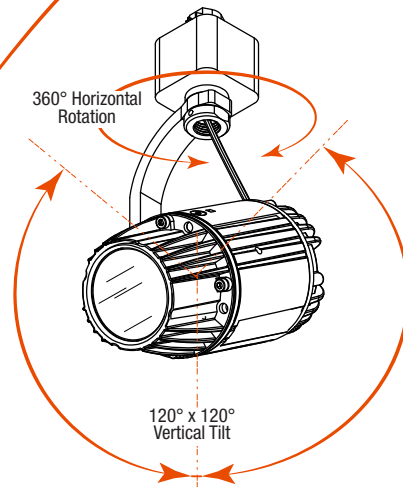


PROJECT	TYPE	CATALOG NUMBER
---------	------	----------------



Matching HEX drive, one tool for adjusting horizontal rotation, vertical tilt and optical cover removal.



TRACKHEAD

- 2.50" diameter cylinder shaped trackhead
- 120° x 120° vertical tilting / 360° horizontal rotation
- Locking tilt and rotation
- Die cast aluminum housing
- LED optical grade reflector
- Powder coat finish

LED SOURCE

- 17W / 1280lm, 80CRI min / 4000K
- Field replaceable optics available, allows for 15°, 24°, 35° and 51° distribution
- Will accept 1 additional media accessory
- 4 selectable light levels via push button

ELECTRICAL

- Fully integral ELV phase dimmable LED driver
- Phase dimmable power supply
- 1 or 2 circuit track compatible

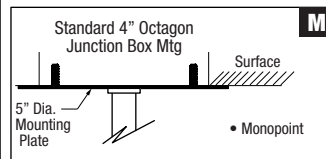
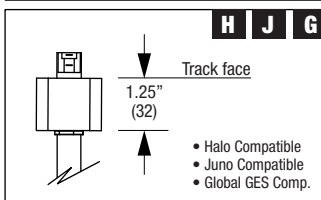
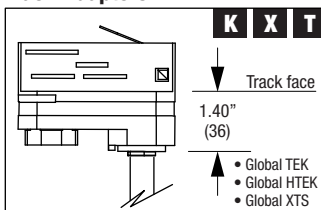
MOUNTING

- Compatible with Halo®, Juno®, Global® GES track or Global® TEK track

LABELS

- Suitable for dry location

Track Adapters



Halo® is a registered trademark of Cooper Industries, Juno® is a registered trademark of Juno Lighting, Global® is a registered trademark of Nordic Aluminum.

5 YEAR WARRANTY
Limited

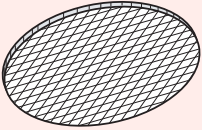
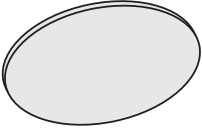
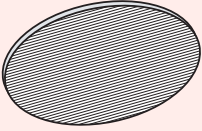
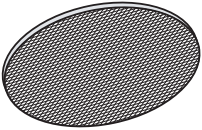


ORDERING INFO

SERIES	ADAPTER	WATTAGE	CRI / COLOR	BEAM	POWER SUPPLY	VOLTAGE	FINISH
TRA01B JOELY Trackhead Die-Cast Aluminum Adjustable Aim	H Halo® compatible J Juno® compatible G Global® GES compatible T Global® TEK compatible K Global® HTEK compatible X Global® XTS compatible M Monopoint	17C 17W LED 1280 lm nom.	8027 80CRI / 2700K 8030 80CRI / 3000K 8035 80CRI / 3500K 8040 80CRI / 4000K 9527 95CRI / 2700K 9530 95CRI / 3000K	N Narrow 15° M Medium 24° W Wide 35° V Very wide 51°	LD LED Driver D1 Reverse Phase ELV Dimming (120V only) D2 0-10V Dim Driver (Monopoint Only)	1 120V 2 277V (HTEK only) U 120-277V (Monopoint only)	BB Black WW White SS Silver
		17W 17W LED 880lm nom. Crisp White	9030 90CRI / 3000K				

Ordering Example: **TRA01B-H-17C-8030-N-D1-1-BB**

Joely (TRA01B) / **Caden** (TRA02C) / **Jamie** (TRA03B)

OPTICAL ACCESSORY	DESCRIPTION	LED SOURCE		
		JOELY	CADEN	JAMIE
		• 17W LED	<ul style="list-style-type: none"> • 13W LED • 18W LED • 26W LED 	<ul style="list-style-type: none"> • 34W LED • 38W LED • 53W LED
	Hex Cell Louver	N/A	OPT-TRA02C-HXL Ø3.00" (76mm) nom.	N/A
	Diffusion Lens - LED Film	OPT-TRA01B-DFL Ø1.70" (43mm) nom.	OPT-TRA02C-DFL Ø3.00" (76mm) nom.	OPT-TRA03B-DFL Ø1.40" (36mm) nom.
	Linear Spread Lens - LED Film	OPT-TRA01B-LSL Ø1.70" (43mm) nom.	OPT-TRA02C-LSL Ø3.00" (76mm) nom.	OPT-TRA03B-LSL Ø1.40" (36mm) nom.
	Prismatic Spread Lens - LED Film	N/A	OPT-TRA02C-PSL Ø3.00" (76mm) nom.	N/A

* Other filters, colored glass, dichroics & micro-lenses available upon request