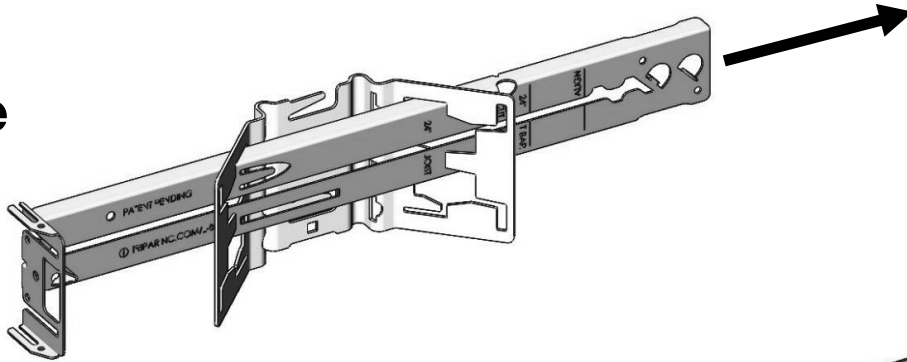
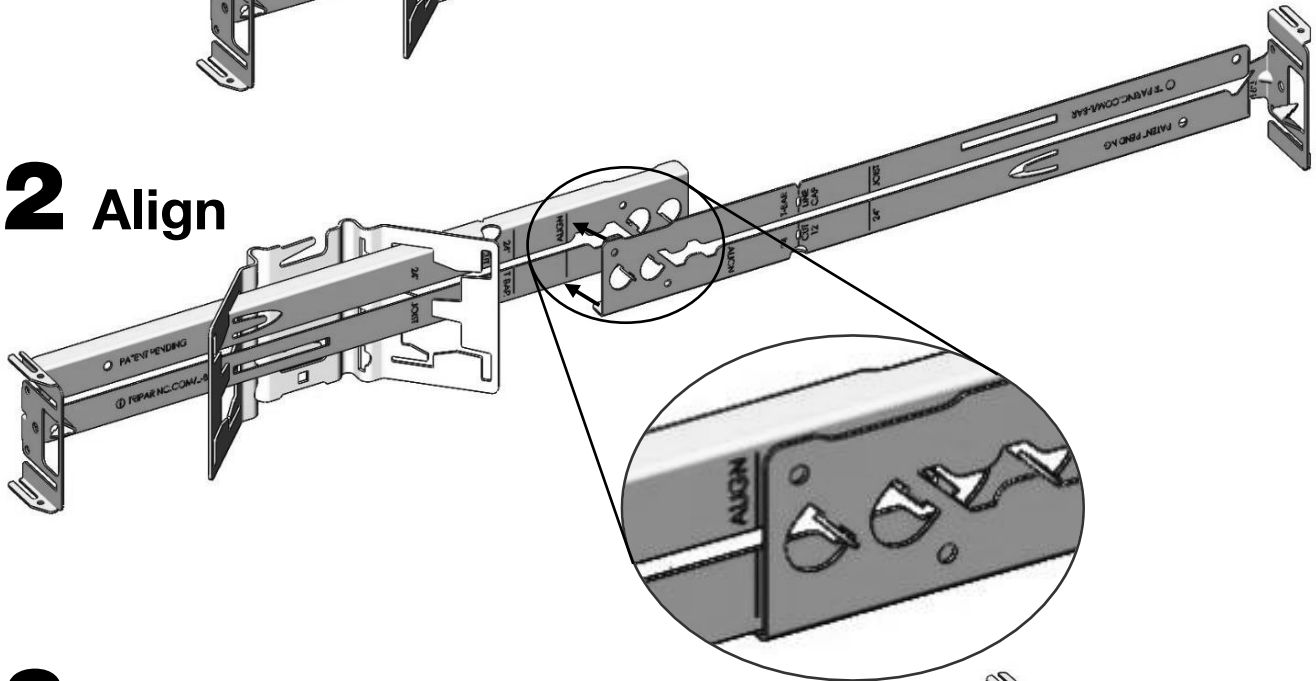


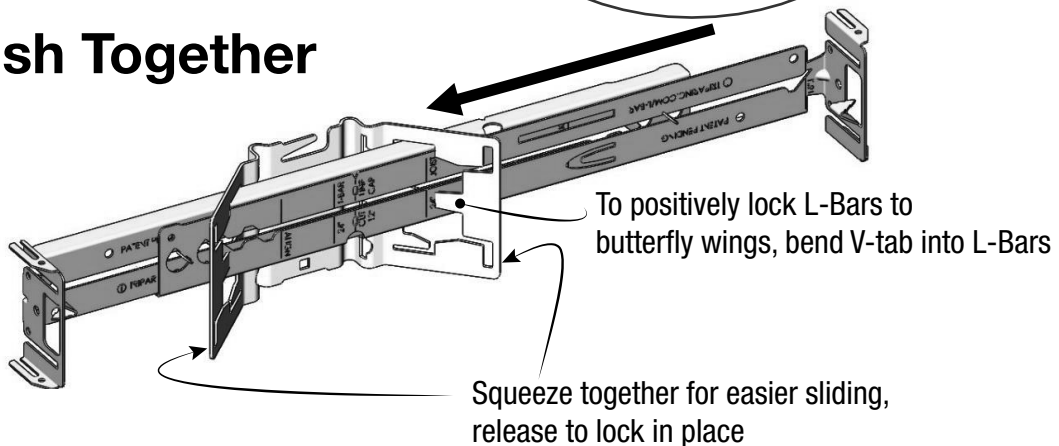
1 Slide



2 Align



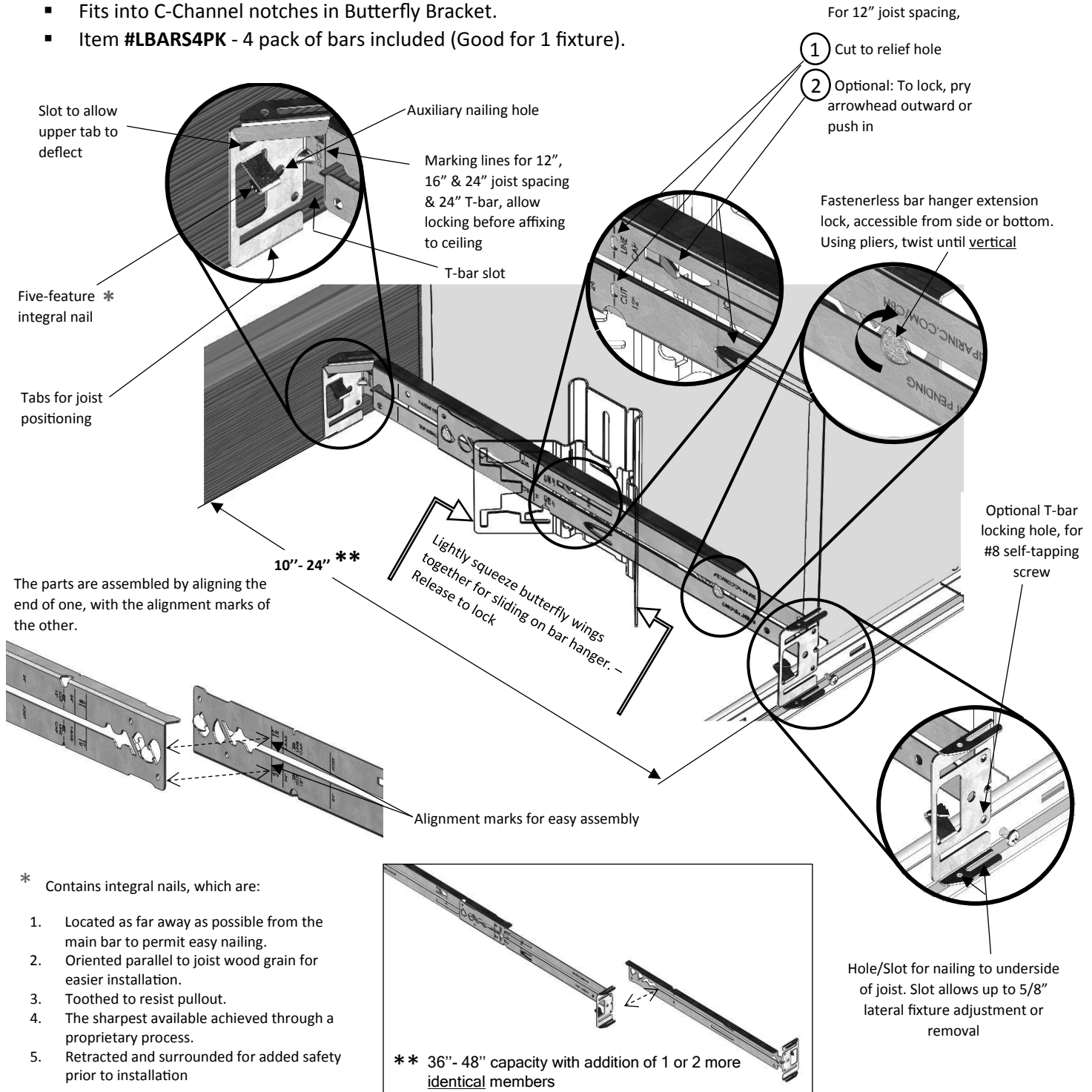
3 Push Together



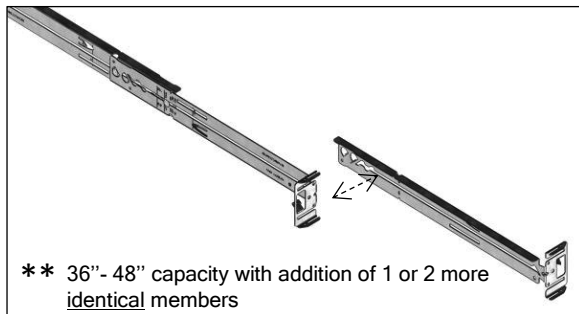
Complete installation videos available at www.TripaInc.com/L-Bar

Detailed features overview PDF available at www.TripaInc.com/L-Bar-features

- L-shaped cross section for each member, when assembled together provides a ½" X 1 ½" C-Channel shaped profile for superior rigidity.
- Consists of two identical parts in all aspects, therefore interchangeable.
- Fits into C-Channel notches in Butterfly Bracket.
- Item #LBARS4PK - 4 pack of bars included (Good for 1 fixture).



- * Contains integral nails, which are:
1. Located as far away as possible from the main bar to permit easy nailing.
 2. Oriented parallel to joist wood grain for easier installation.
 3. Toothed to resist pullout.
 4. The sharpest available achieved through a proprietary process.
 5. Retracted and surrounded for added safety prior to installation



Installation videos available at www.TriparInc.com/L-Bar

©Tripar® 08/2016

Patent Pending