

Warnings:

- * Risk of fire or electric shock.
- * **Disconnect all power before installing or servicing.**
- * Installation Instructions for qualified electricians only.
- * Install per National Electrical Code and local regulations.
- * Read Installation Instructions completely before installation.
- * Failure to follow Installation Instructions may void warranties.

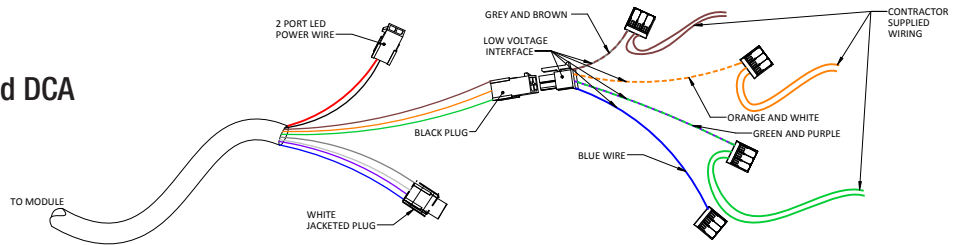


THIS PRODUCT MUST BE INSTALLED IN ACCORDANCE WITH THE APPLICABLE INSTALLATION CODE BY A PERSON FAMILIAR WITH THE CONSTRUCTION AND OPERATION OF THE PRODUCT AND THE HAZARDS INVOLVED.

Wiring Schematics and Instruction Index

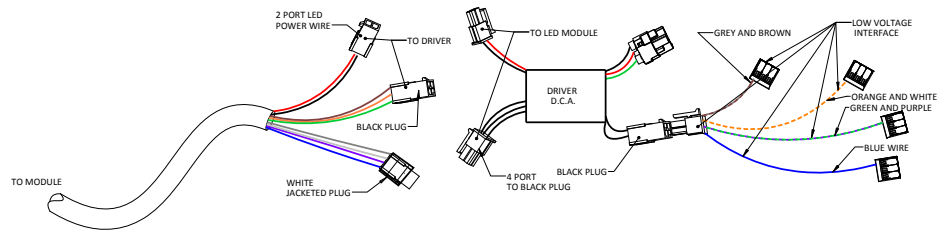
CONFIGURATION 1 (PAGE 2)

- LumaDIM EcoSystem rack mounted DCA
- LumaTUNE DMX
- LumaTUNE EcoSystem with rack mounted DCA



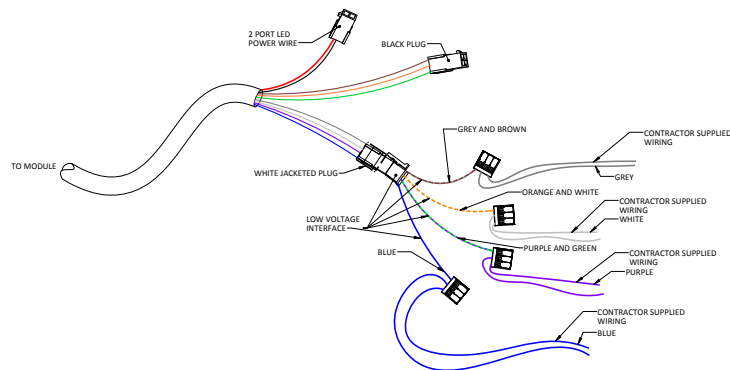
CONFIGURATION 2 (PAGE 3)

- LumaDIM EcoSystem with integral DCA
- LumaTUNE EcoSystem with integral DCA



CONFIGURATION 3 (PAGE 4)

- LumaDIM 0-10V
- LumaTUNE 0-10V



Warnings:

- * Risk of fire or electric shock.
- * **Disconnect all power before installing or servicing.**
- * Installation Instructions for qualified electricians only.
- * Install per National Electrical Code and local regulations.
- * Read Installation Instructions completely before installation.
- * Failure to follow Installation Instructions may void warranties.



THIS PRODUCT MUST BE INSTALLED IN ACCORDANCE WITH THE APPLICABLE INSTALLATION CODE BY A PERSON FAMILIAR WITH THE CONSTRUCTION AND OPERATION OF THE PRODUCT AND THE HAZARDS INVOLVED.

Systems Covered

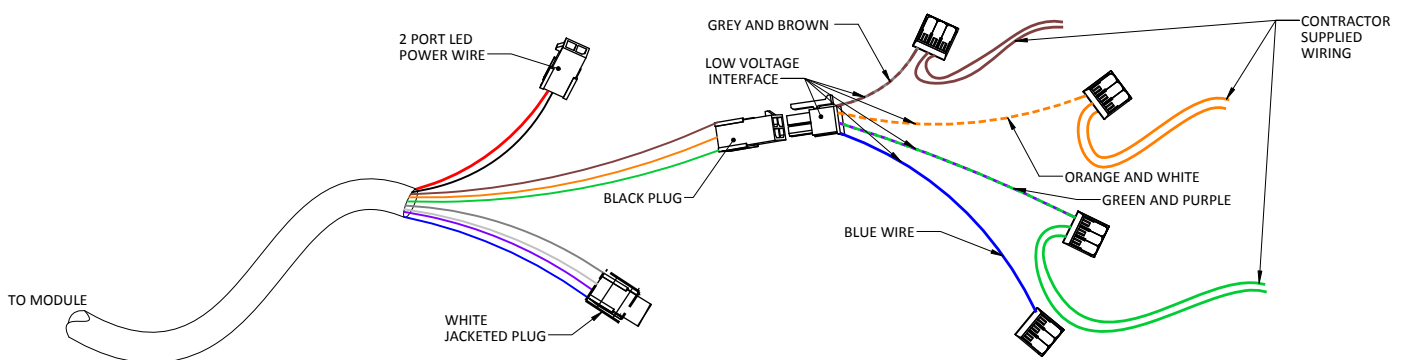
- LumaDIM EcoSystem with rack mounted DCA
- LumaTUNE DMX
- LumaTUNE EcoSystem with rack mounted DCA

Low Voltage Interface

1. Place green + wire into the lever lock connector with the green and purple wire
2. Place green wire feeding the next fixture into the remaining port in this connector
3. Place orange - wire into the lever lock connector with the orange and white wire
4. Place orange wire feeding the next fixture into the remaining port in this connector
5. Place brown (digital ground) wire into the lever lock connector with the brown and grey wire
6. Place brown wire feeding the next fixture into the remaining port in this connector

When installing the driver assembly

1. Connect Low Voltage Interface into the black plug
2. Insert the two port LED power wire into corresponding plug on driver
3. Connect the mains voltage connector



Warnings:

- * Risk of fire or electric shock.
- * **Disconnect all power before installing or servicing.**
- * Installation Instructions for qualified electricians only.
- * Install per National Electrical Code and local regulations.
- * Read Installation Instructions completely before installation.
- * Failure to follow Installation Instructions may void warranties.



THIS PRODUCT MUST BE INSTALLED IN ACCORDANCE WITH THE APPLICABLE INSTALLATION CODE BY A PERSON FAMILIAR WITH THE CONSTRUCTION AND OPERATION OF THE PRODUCT AND THE HAZARDS INVOLVED.

Systems Covered

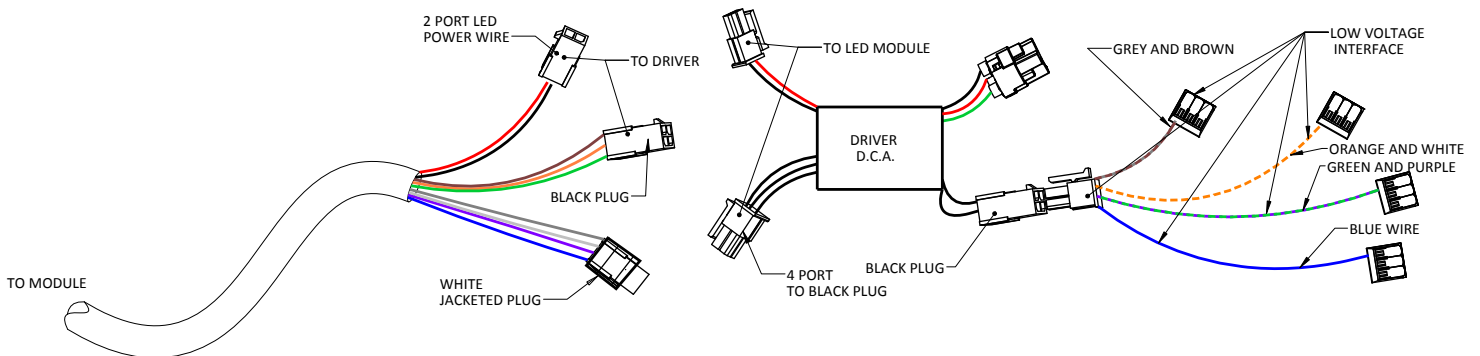
- LumaDIM EcoSystem with integral DCA
- LumaTUNE EcoSystem with integral DCA

Low Voltage Interface

1. Place purple E1 wire into the lever lock connector with the green and purple wire
2. Place purple wire feeding the next fixture into the remaining port in this connector
3. Place purple and white E2 wire into the lever lock connector with the orange and white wire
4. Place purple and white wire feeding the next fixture into the remaining port in this connector

When installing the driver assembly

1. Connect Low Voltage Interface into the black plug coming from the driver
2. Insert the two port LED power wire into corresponding plug on driver
3. Insert the four port LED power wire into corresponding plug on driver
4. Connect the mains voltage connector



Warnings:

- * Risk of fire or electric shock.
- * **Disconnect all power before installing or servicing.**
- * Installation Instructions for qualified electricians only.
- * Install per National Electrical Code and local regulations.
- * Read Installation Instructions completely before installation.
- * Failure to follow Installation Instructions may void warranties.



THIS PRODUCT MUST BE INSTALLED IN ACCORDANCE WITH THE APPLICABLE INSTALLATION CODE BY A PERSON FAMILIAR WITH THE CONSTRUCTION AND OPERATION OF THE PRODUCT AND THE HAZARDS INVOLVED.

System

- LumaTUNE 0-10V

Low Voltage Interface

1. Place purple + wire into the lever lock connector with the green and purple wire
2. Place purple wire feeding the next fixture into the remaining port in this connector
3. Place grey - wire into the lever lock connector with the brown and grey wire
4. Place grey wire feeding the next fixture into the remaining port in this connector
5. Place blue + wire into the lever lock connector with the blue wire
6. Place blue wire feeding the next fixture into the remaining port in this connector
7. Place white - wire into the lever lock connector with the orange and white wire
8. Place white wire feeding the next fixture into the remaining port in this connector

When installing the driver assembly

1. Connect Low Voltage Interface to the white jacketed plug
2. Insert the two port LED power wire into corresponding plug on driver
3. Connect the mains voltage connector

System

- LumaDIM 0-10V

Low Voltage Interface

1. Place purple + wire into the lever lock connector with the green and purple wire
2. Place purple wire feeding the next fixture into the remaining port in this connector
3. Place grey - wire into the lever lock connector with the brown and grey wire
4. Place grey wire feeding the next fixture into the remaining port in this connector

When installing the driver assembly

1. Connect Low Voltage Interface to the white jacketed plug
2. Insert the two port LED power wire into corresponding plug on driver
3. Connect the mains voltage connector

