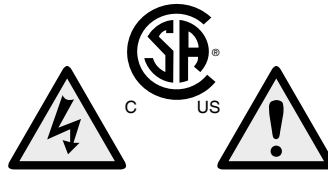


# INSTALLATION INSTRUCTIONS

## Warnings:

- \* Risk of fire or electric shock.
- \* **Disconnect all power before installing or servicing.**
- \* Installation Instructions for qualified electricians only.
- \* Install per National Electrical Code and local regulations.
- \* Read Installation Instructions completely before installation.
- \* Failure to follow Installation Instructions may void warranties.



THIS PRODUCT MUST BE INSTALLED IN ACCORDANCE WITH THE APPLICABLE INSTALLATION CODE BY A PERSON FAMILIAR WITH THE CONSTRUCTION AND OPERATION OF THE PRODUCT AND THE HAZARDS INVOLVED.

### Butterfly Mounting (Commercial):

**Step 1.** Fixture comes equipped with Universal BUTTERFLY MOUNTING BRACKET and can take common 1 inch or 1-1/2 inch Black Iron or Galvanized MOUNTING CHANNELS (*Supplied By Others*).

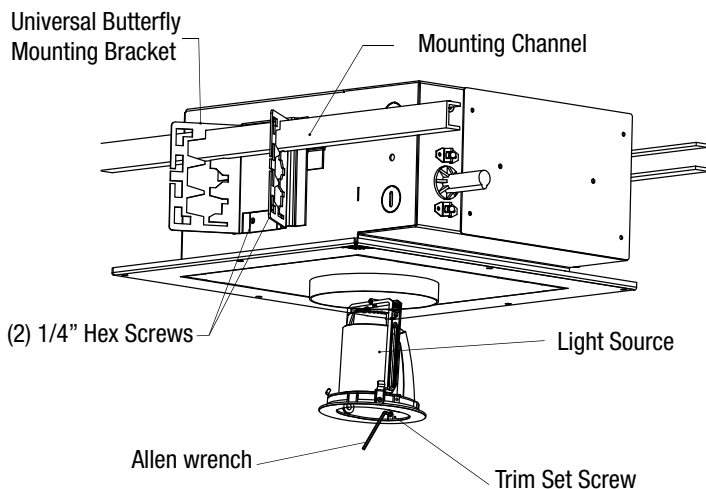
**Step 2.** Position Fixture so the MOUNTING CHANNELS lie on top of ceiling runners.

**Step 3.** Fasten MOUNTING CHANNELS securely to ceiling runners.

**Step 4.** Secure MOUNTING CHANNELS to UNIVERSAL BUTTERFLY MOUNTING BRACKET with wire tie downs.

**Step 5.** Adjust elevation of Fixture so TRIM OPTION edge will be flush with surface of finished Ceiling by loosening two (2) 1/4" HEX SCREWS on both UNIVERSAL BUTTERFLY MOUNTING BRACKET. *See Fig. 1.*

**Step 6.** Once in position, securely tighten the two (2) 1/4" HEX SCREWS on both UNIVERSAL BUTTERFLY MOUNTING BRACKETS into place *See Fig. 1.*



**Figure 1**

### IMPORTANT Fixture Mounting:

**Step 7.** Once fixture is positioned in place, it is important to secure the insert trim from the inside (as illustrated above) using the 1/4" HEX trim set screw and allen wrench provided.

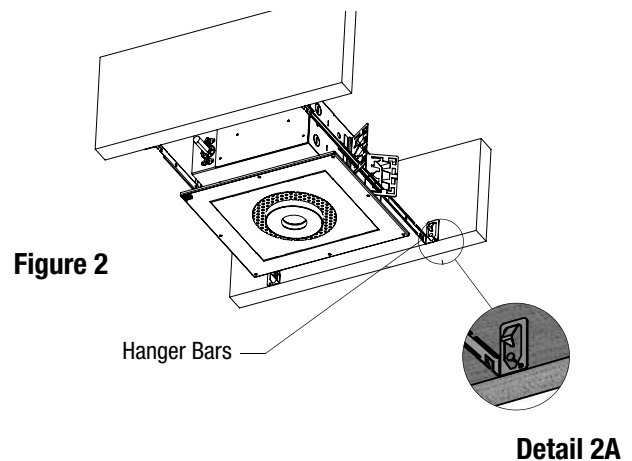
### Joist Installation (Figure 2):

*Optional HANGER BARS required for installation*

**Step 1.** Extend bar hangers to fit between joist and position mounting tab locator lip tight to bottom of joist or framing member. Bar hangers should be level with bottom of joist or framing member. *See Detail 2A.*

**Step 2.** Attach bar hangers to joist or framing member using appropriate hardware for material.

**Step 3.** Adjust housing position by sliding back and forth on bar hangers. Housing may be locked into position.



**Figure 2**

