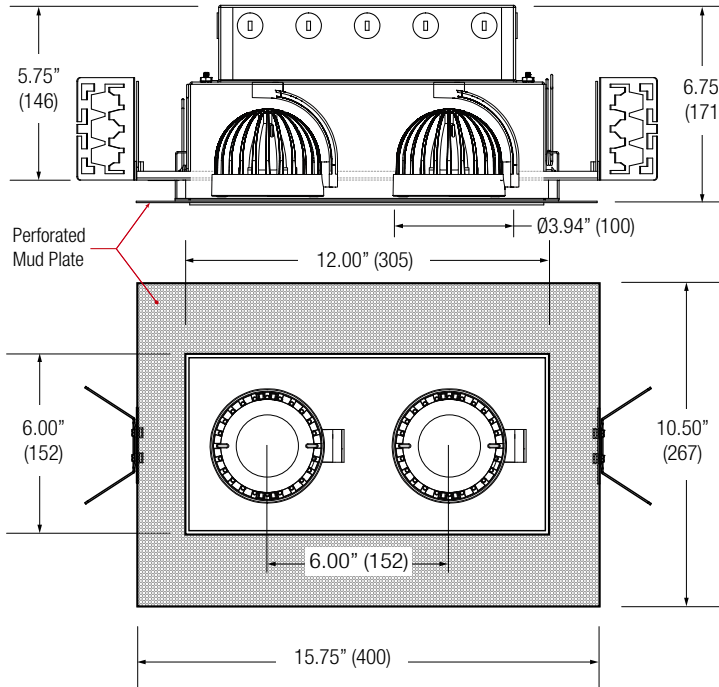
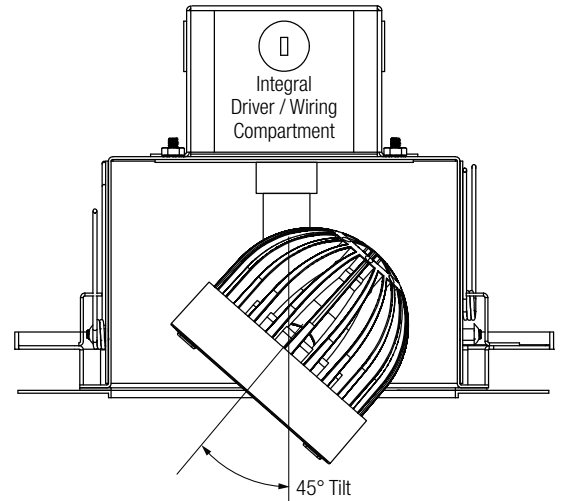


| | | |
|---------|------|----------------|
| PROJECT | TYPE | CATALOG NUMBER |
|---------|------|----------------|

Measurements in () are metric equivalents.



27 Watts / 2200 Lumens



DESCRIPTION

- Two light recessed accent / downlight - medium size
- All steel 18GA construction with powder coat finish
- Trimless insert with 6.00" x 12.00" open aperture
- Perforated metal mesh frame for mudding right to the aperture
- Vent holes for cooler operating temperature
- Deep sleeve feature to conceal inner components
- **Ceiling Cut-Out - 6.10" x 12.10"**

LED SOURCE

- Field-replaceable integral LED module
- Field-changeable optic
- 27W / 2200lm, 80CRI / 3000K
- Accepts up to 2 or more optical accessories
- Die-Cast trackhead style lamp holder
- Adjustable positioning with up to 45° tilt x 360°+ rotation
- Optional lamp back cover

ELECTRICAL

- Field-replaceable integral LED driver
- Electrical wiring compartment integrated into housing construction
- Thermal protection
- Easy maintenance access through ceiling opening
- Rated for through-branch wiring
- Dimmable

MOUNTING

- Butterfly brackets for commercial installation in drywall and other mud in ceiling types
- Continuously variable plate adjusts for 1/2" through 1.0" ceilings

LABELS

- Suitable for damp location

Patent Pending

5 YEAR WARRANTY

Limited



ORDERING INFO

| SERIES | WATTAGE | CRI / COLOR | BEAM | LAMP ASSEMBLY | DRIVER | VOLTAGE | FINISH | OPTIONS |
|--|---------------------------------------|---|---|--|---|--------------------------------|--|---|
| MF22CN-S | 27L 27W LED 2200 lm nom. | 8027 80CRI / 2700K 8030 80CRI / 3000K 8035 80CRI / 3500K 8040 80CRI / 4000K 9030 90CRI / 3000K | N Narrow M Medium W Wide | SR Semi-Recessed Yoke Assembly | LD LED Driver D1 Phase Dim. (120V only) D2 0-10V Dim. 120-277V | 1 120V 2 277V | BB Black WW White BW Black Interior/ White Trim | CP Chicago Plenum EM Emergency Relay CV Back cover |
| MULTIFORMS MF200 Series | | | | | | | | |
| Recessed 2-Light Trackhead Style Adjustable Accent Trimless Fixture New Construction Housing | | | | | | | | |
| MF22CN-S | | | | | | | | |

Ordering Example: **MF22CN-S-27L-8027-N-SR-D1-1-BB-CV**