

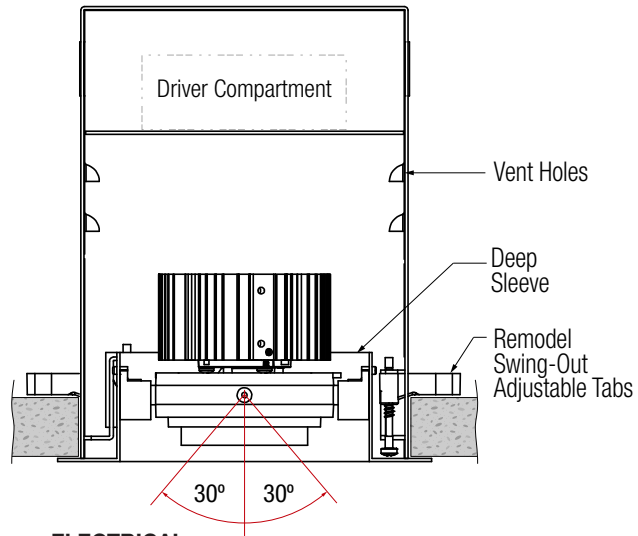
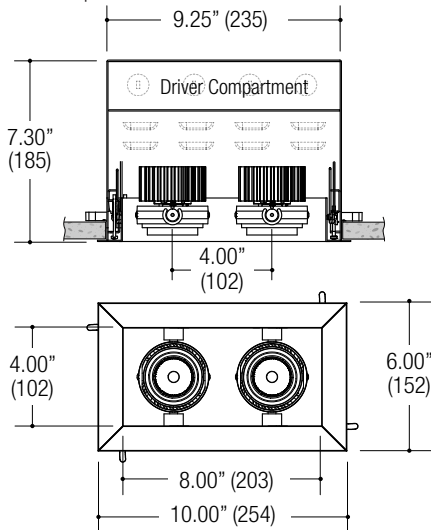
TRIMMED

LED

SMALL

PROJECT	TYPE	CATALOG NUMBER
---------	------	----------------

Measurements in () are metric equivalents.



DESCRIPTION

- Two light recessed accent / downlight - small size
- All steel 18GA construction remodel housing
- 1" trim flange with 4.00" x 8.00" open aperture
- Vent holes for cooler operating temperature
- Deep sleeve feature to conceal inner components
- Powder coat finish
- **Ceiling Cut-Out - 5.45" x 9.45"**

LED SOURCE

- Field-replaceable integral LED module
- Field-changeable optic
- CREE / **ValuDIM™**
- Accepts up to 2 or more optical accessories
- Trim mounted double gimbal
- 30° x 30° tilt aiming

ELECTRICAL

- Field-replaceable integral LED driver
- Electrical wiring compartment integrated into housing construction
- Thermal protection
- Easy maintenance access through ceiling opening
- Rated for through-branch wiring
- Dimmable

MOUNTING

- Trim collar is secured using adjustable swing out tabs
- For installation in drywall, wood, stone, or other ceiling types
- Adjust for 1/2" through 1.0" ceiling thickness

LABELS

- Suitable for damp location



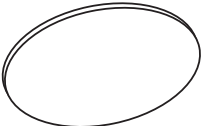
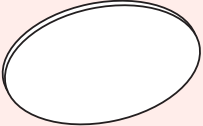
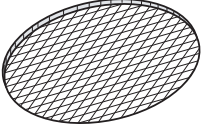

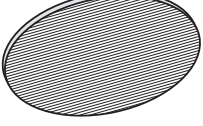
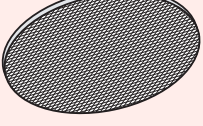
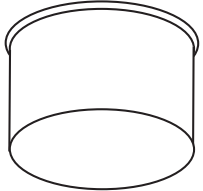
ValuDIM™



TRIM ORDERING INFO

SERIES	LED MODULE WATTAGE AND INFORMATION	CRI / COLOR	BEAM	HSG TYPE	DRIVER	FINISH	OPTIONS
MF32BR-T REMODEL MF300 Series Recessed 2-Light Adjustable Accent Trimmed Fixture Remodel Housing	CREE 08C 08W LED / 1094lm delivered 13C 13W LED / 1473lm delivered 19C 19W LED / 2117m delivered Delivered @ 80CRI / 3000K Narrow Beam	8027 80CRI / 2700K 8030 80CRI / 3000K 8035 80CRI / 3500K 8040 80CRI / 4000K 9227 92CRI / 2700K 9230 92CRI / 3000K 9227 92CRI / 2700K 9230 92CRI / 3000K 9240 92CRI / 4000K 9827 98CRI / 2700K 9830 98CRI / 3000K 9835 98CRI / 3500K 9840 98CRI / 4000K	CREE N Narrow 16° M Medium 28° W Wide 42° V Very Wide 73°	TD Trim Mounted Double Gimbal	DMU Dimming Multiple Forward/Reverse Phase (@ 120V only) 0-10V Wires Present (@ 120-277V)	BB Black WW White WB White Trim / Black Interior SS Silver SB Silver Trim / Black Interior XX Custom	<i>For Emergency LED Inverter Options See Page 6</i>
	ValuDIM™ 15V 15W LED / 876lm del. 3000-1800K Warm Dimming Delivered Lumens @ 92CRI / 3000K / Narrow Beam	9220 92CRI / 3000-1800K Warm Dimming ValuDIM Only	ValuDIM™ N Narrow 17° M Medium 25° W Wide 38°				
MF32BR-T							

Example: **MF32BR-T-19C-8027-N-TD-DMU-BB**

OPTICAL ACCESSORY	DESCRIPTION	LIGHT SOURCE		
		SMALL	MEDIUM	LARGE
		<ul style="list-style-type: none"> • MR16 • CMHMR16 • 50mm LED 	<ul style="list-style-type: none"> • PAR20 • PAR20CMH • T4GU6.5 • 70mm LED 	<ul style="list-style-type: none"> • PAR30 / PAR30CMH • T4G8.5 • T6G12 • AR111 / CDMR111 • 111mm LED
	Clear Lens	OPTB-CLR Ø2.00" (51mm) nom.	OPTC-CLR Ø2.90" (74mm) nom.	OPTD-CLR Ø4.40" (112mm) nom.
	Clear Lens - LED Film	OPTB-L-CLR Ø2.00" (51mm) nom.	N/A	N/A
	UV Lens	OPTB-UVL Ø2.00" (51mm) nom.	OPTC-UVL Ø2.90" (74mm) nom.	OPTD-UVL Ø4.40" (112mm) nom.
	Hex Cell Louver	OPTB-HXL Ø2.00" (51mm) nom.	OPTC-HXL Ø2.90" (74mm) nom.	OPTD-HXL Ø4.40" (112mm) nom.
	Diffusion Lens	OPTB-DFL Ø2.00" (51mm) nom.	OPTC-DFL Ø2.90" (74mm) nom.	OPTD-DFL Ø4.40" (112mm) nom.
	Diffusion Lens - LED Film	OPTB-L-DFL Ø2.00" (51mm) nom.	OPTC-L-DFL Ø2.90" (74mm) nom.	OPTD-L-DFL Ø4.40" (112mm) nom.
	Linear Spread Lens	OPTB-LSL Ø2.00" (51mm) nom.	OPTC-LSL Ø2.90" (74mm) nom.	OPTD-LSL Ø4.40" (112mm) nom.
	Linear Spread Lens - LED Film	OPTB-L-LSL Ø2.00" (51mm) nom.	OPTC-L-LSL Ø2.90" (74mm) nom.	OPTD-L-LSL Ø4.40" (112mm) nom.
	Prismatic Spread Lens	OPTB-PSL Ø2.00" (51mm) nom.	OPTC-PSL Ø2.90" (74mm) nom.	OPTD-PSL Ø4.40" (112mm) nom.
	Snoot - Black	OPTB-SNB Ø2.00" (51mm) nom.	OPTC-SNB Ø2.90" (74mm) nom.	OPTD-SNB Ø4.40" (112mm) nom.
	Snoot - White	OPTB-SNW Ø2.00" (51mm) nom.	OPTC-SNW Ø2.90" (74mm) nom.	OPTD-SNW Ø4.40" (112mm) nom.
	Snoot - Silver	OPTB-SNS Ø2.00" (51mm) nom.	OPTC-SNS Ø2.90" (74mm) nom.	OPTD-SNS Ø4.40" (112mm) nom.
	Snoot - White With Black Splay	OPTB-SNWB Ø2.00" (51mm) nom.	OPTC-SNWB Ø2.90" (74mm) nom.	OPTD-SNWB Ø4.40" (112mm) nom.
	Snoot - Silver With Black Splay	OPTB-SNSB Ø2.00" (51mm) nom.	OPTC-SNSB Ø2.90" (74mm) nom.	OPTD-SNSB Ø4.40" (112mm) nom.

* Other filters, colored glass, dichroics & micro-lenses available upon request

PROJECT	TYPE	CATALOG NUMBER
---------	------	----------------

The emergency inverter provides full power up to its load rating for no less than 90 minutes as prescribed by UL 924 Listed for US and Canada & CSA C22 No. 141 Unit Equipment for Emergency Lighting.

The inverter is installed remotely, behind an access panel or with above ceiling access required (behind grid ceilings are also acceptable). The inverter is not accessible through the fixture opening in the ceiling. The inverters are rated for 120-277V and will work for LED, ELV, MLV, incandescent & fluorescent loads.

The inverter is paired for the connected load wattage of the light source(s).

25W



If the load rating requirement is 25W (or less) then we recommend **LF #EMREM25**

- IOTA #IIS-25-I:** <http://www.iotaengineering.com/iis25.htm>
- Instructions:** http://iotaengineering.com/Inverter/iis25_manual.pdf
- Wiring Diagram:** <http://iotaengineering.com/diagrams/ad10.pdf>

35W



If the load rating requirement is 25-35W then we recommend **LF #EMREM35**

- IOTA #IIS-35-I:** http://iotaengineering.com/Inverter/iis35_spec.pdf
- Instructions:** http://iotaengineering.com/Inverter/iis35_manual.pdf
- Wiring Diagram:** <http://iotaengineering.com/diagrams/ad10.pdf>

50W



If the load rating requirement is 35-50W then we recommend **LF #EMREM50**

- IOTA #IIS-50-I:** http://iotaengineering.com/Inverter/iis50_spec.pdf
- Instructions:** http://iotaengineering.com/Inverter/iis50_manual.pdf
- Wiring Diagram:** <http://iotaengineering.com/diagrams/ad10.pdf>

Consult LF Illumination for higher wattage inverter offerings.