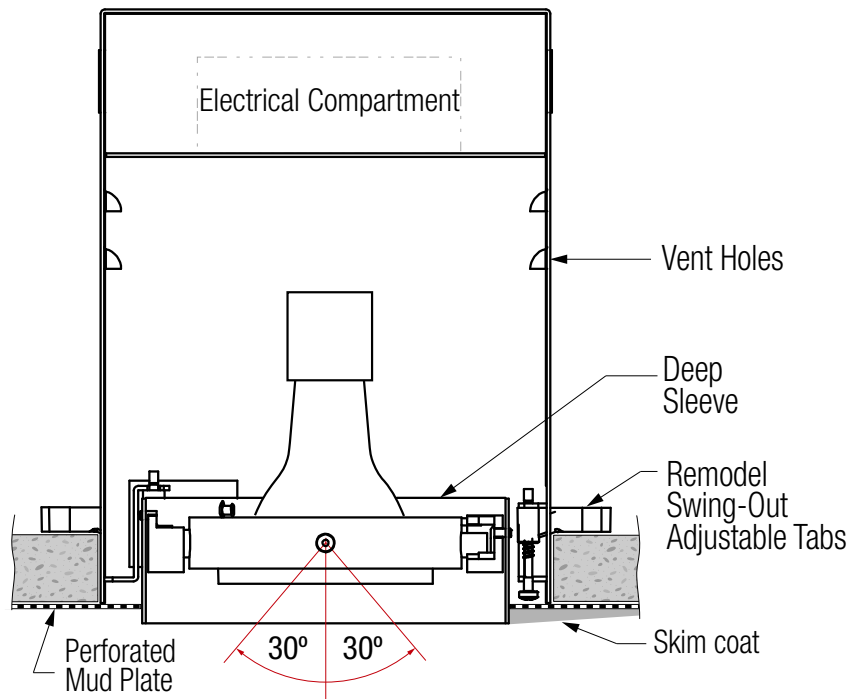
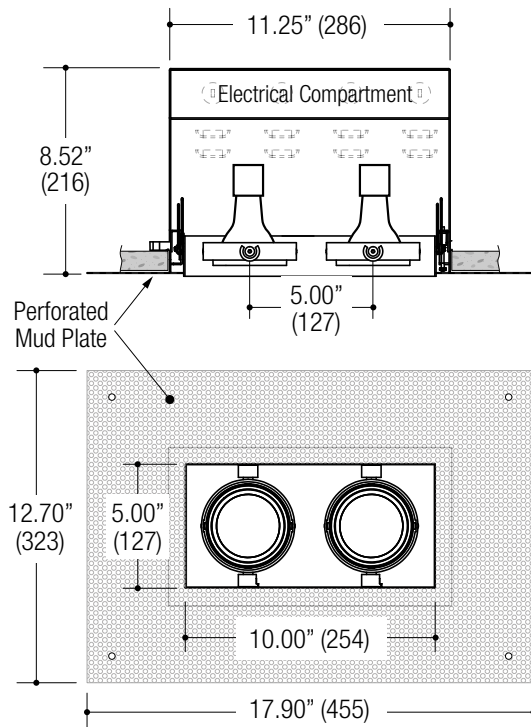


PROJECT

TYPE

CATALOG NUMBER

Measurements in ( ) are metric equivalents.



#### DESCRIPTION

- Two light recessed accent / downlight - medium size
- All steel 18GA construction remodel housing
- Trimless insert with 5.00" x 10.00" open aperture
- Vent holes for cooler operating temperature
- Deep sleeve to conceal inner components
- Powder coat finish
- **Ceiling Cut-Out - 6.70" x 11.25" Important! No Larger**

#### LAMPS (not included)

- 120V PAR20 Halogen 50W max - Derate Labels Available
- PAR20MH 20W or 39W
- Accepts up to 2 or more optical accessories, dependent on lamp
- Trim mounted double gimbal
- 30° x 30° tilt aiming

#### ELECTRICAL

- Integral metal halide ballast (no power supply for line voltage lamps)
- Electrical wiring compartment integrated into housing construction
- Thermal protection
- Easy maintenance access through ceiling opening
- Rated for through-branch wiring
- Dimmable (line voltage only)

#### MOUNTING

- Trim collar is secured using adjustable swing out tabs
- For installation in drywall, wood, stone, acoustic tile, or other ceiling types
- Adjust for 1/2" through 1.0" ceiling thickness

#### LABELS

- Suitable for damp location



#### ORDERING INFO

| SERIES  | WATTAGE / LAMP                               | LAMP ASSEMBLY                    | POWER SUPPLY  | VOLTAGE          | FINISH   | OPTIONS      |
|---|--|----------------------------------|---|------------------|--|--------------|
| <b>MF32CR-S</b><br><br>MULTIFORMS<br>MF300 Series<br>Recessed 2-Light<br>Straight Aperture<br>Adjustable Accent<br>Trimless Insert<br>Remodel Housing | 030PR20X PAR20 30W max                       | TD Trim Mounted<br>Double Gimbal | EB Electronic Metal Halide<br>Ballast<br>NA None - Line voltage lamps | 1 120V<br>2 277V | BB Black<br>WW White<br>SS Silver<br>XX Custom | EM Emergency |
|   | 040PR20X PAR20 40W max                       |                                  |   |                  |  |              |
|   | 050PR20X PAR20 50W max                       |                                  |   |                  |  |              |
|   | 020CR20X PAR20MH 20W<br>039CR20X PAR20MH 39W |                                  |   |                  |  |              |
|   | 015PR20X LED Retrofit                        |                                  |   |                  |  |              |
| <b>MF32CR-S</b>   |  |                                  |   |                  |  |              |

Ordering Example: **MF32CR-S-050PR20X-TD-NA-1-BB-CP**

| OPTICAL ACCESSORY   | DESCRIPTION                     | LIGHT SOURCE  |  |   |
|---|---------------------------------|---|--|---|
|   |                                 | SMALL   | MEDIUM   | LARGE   |
|   |                                 | <ul style="list-style-type: none"> <li>• MR16</li> <li>• CMHMR16</li> <li>• 50mm LED</li> </ul> | <ul style="list-style-type: none"> <li>• PAR20</li> <li>• PAR20CMH</li> <li>• T4GU6.5</li> <li>• 70mm LED</li> </ul> | <ul style="list-style-type: none"> <li>• PAR30 / PAR30CMH</li> <li>• T4G8.5</li> <li>• T6G12</li> <li>• AR111 / CDMR111</li> <li>• 111mm LED</li> </ul> |
|    | Clear Lens                      | OPTB-CLR<br>Ø2.00" (51mm) nom.  | OPTC-CLR<br>Ø2.90" (74mm) nom.   | OPTD-CLR<br>Ø4.40" (112mm) nom.   |
|   | Clear Lens - LED Film           | OPTB-L-CLR<br>Ø2.00" (51mm) nom.  | N/A  | N/A   |
|    | UV Lens                         | OPTB-UVL<br>Ø2.00" (51mm) nom.  | OPTC-UVL<br>Ø2.90" (74mm) nom.   | OPTD-UVL<br>Ø4.40" (112mm) nom.   |
|   | Hex Cell Louver                 | OPTB-HXL<br>Ø2.00" (51mm) nom.  | OPTC-HXL<br>Ø2.90" (74mm) nom.   | OPTD-HXL<br>Ø4.40" (112mm) nom.   |
|  | Diffusion Lens                  | OPTB-DFL<br>Ø2.00" (51mm) nom.  | OPTC-DFL<br>Ø2.90" (74mm) nom.   | OPTD-DFL<br>Ø4.40" (112mm) nom.   |
|   | Diffusion Lens - LED Film       | OPTB-L-DFL<br>Ø2.00" (51mm) nom.  | OPTC-L-DFL<br>Ø2.90" (74mm) nom.   | OPTD-L-DFL<br>Ø4.40" (112mm) nom.   |
|  | Linear Spread Lens              | OPTB-LSL<br>Ø2.00" (51mm) nom.  | OPTC-LSL<br>Ø2.90" (74mm) nom.   | OPTD-LSL<br>Ø4.40" (112mm) nom.   |
|   | Linear Spread Lens - LED Film   | OPTB-L-LSL<br>Ø2.00" (51mm) nom.  | OPTC-L-LSL<br>Ø2.90" (74mm) nom.   | OPTD-L-LSL<br>Ø4.40" (112mm) nom.   |
|  | Prismatic Spread Lens           | OPTB-PSL<br>Ø2.00" (51mm) nom.  | OPTC-PSL<br>Ø2.90" (74mm) nom.   | OPTD-PSL<br>Ø4.40" (112mm) nom.   |
|  | Snoot - Black                   | OPTB-SNB<br>Ø2.00" (51mm) nom.  | OPTC-SNB<br>Ø2.90" (74mm) nom.   | OPTD-SNB<br>Ø4.40" (112mm) nom.   |
|   | Snoot - White                   | OPTB-SNW<br>Ø2.00" (51mm) nom.  | OPTC-SNW<br>Ø2.90" (74mm) nom.   | OPTD-SNW<br>Ø4.40" (112mm) nom.   |
|   | Snoot - Silver                  | OPTB-SNS<br>Ø2.00" (51mm) nom.  | OPTC-SNS<br>Ø2.90" (74mm) nom.   | OPTD-SNS<br>Ø4.40" (112mm) nom.   |
|   | Snoot - White With Black Splay  | OPTB-SNWB<br>Ø2.00" (51mm) nom.   | OPTC-SNWB<br>Ø2.90" (74mm) nom.  | OPTD-SNWB<br>Ø4.40" (112mm) nom.  |
|   | Snoot - Silver With Black Splay | OPTB-SNSB<br>Ø2.00" (51mm) nom.   | OPTC-SNSB<br>Ø2.90" (74mm) nom.  | OPTD-SNSB<br>Ø4.40" (112mm) nom.  |

\* Other filters, colored glass, dichroics & micro-lenses available upon request