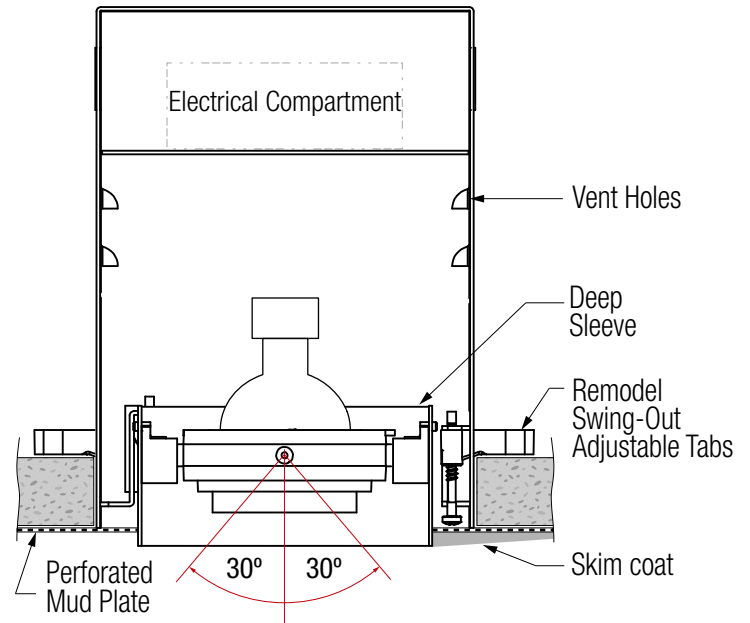
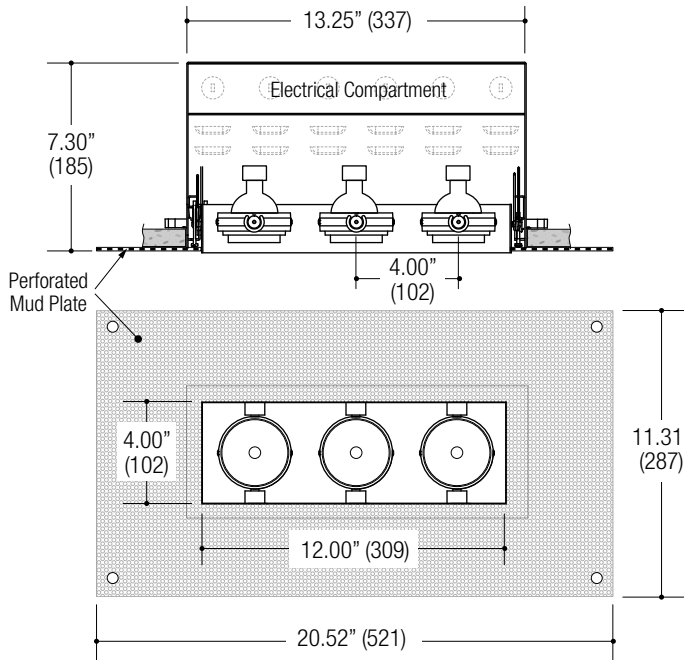


PROJECT

TYPE

CATALOG NUMBER

Measurements in () are metric equivalents.



DESCRIPTION

- Three light recessed accent / downlight - small size
- All steel 18GA construction with powder coat finish
- Trimless insert with 4.00" x 12.00" open aperture
- Vent holes for cooler operating temperature
- Deep sleeve to conceal inner components
- Powder coat finish
- **Ceiling Cut-Out - 5.45" x 13.45"**

LAMPS (not included)

- 12V MR16 50W max - Derate Labels Available
- CMHMR16 in 20W or 39W
- LED Retrofit 15W max - Works with SORAA®
- Trim mounted double gimbal
- 30° x 30° tilt aiming

ELECTRICAL

- Integral electronic or toroidal transformer, metal halide ballast
- Electrical wiring compartment integrated into housing construction
- Thermal protection
- Easy maintenance access through ceiling opening
- Rated for through-branch wiring
- Dimmable (12V)

MOUNTING

- Trim collar is secured using adjustable swing out tabs
- For installation in drywall, wood, stone, acoustic tile, or other ceiling types
- Adjust for 1/2" through 1.0" ceiling thickness

LABELS

- Suitable for damp location



ORDERING INFO

| SERIES | WATTAGE / LAMP | LAMP ASSEMBLY | POWER SUPPLY | VOLTAGE | FINISH | OPTIONS |
|---|--|---|---|--------------------------------|--|---------------------|
| MF33BR-S MULTIFORMS MF300 Series Recessed 3-Light Straight Aperture Adjustable Accent Trimless Insert Remodel Housing | 020MR16X MR16 20W | TD Trim Mounted Double Gimbal | ET Electronic Transformer TT Q-Tran Toroidal Transformer EB Electronic Metal Halide Ballast | 1 120V 2 277V | BB Black WW White SS Silver XX Custom | EM Emergency |
| | 035MR16X MR16 35W | | | | | |
| | 050MR16X MR16 50W | | | | | |
| | 020CM16X 20W CMHMR16 039CM16X 39W CMHMR16 | | | | | |
| | 015MR16X MR16 15W LED Retrofit | | | | | |
| MF33BR-S | | | | | | |

Ordering Example: **MF33BR-S-050MR16X-TD-ET-1-BB-EM**

| OPTICAL ACCESSORY | DESCRIPTION | LIGHT SOURCE | | |
|---|---------------------------------|---|--|---|
| | | SMALL | MEDIUM | LARGE |
| | | <ul style="list-style-type: none"> • MR16 • CMHMR16 • 50mm LED | <ul style="list-style-type: none"> • PAR20 • PAR20CMH • T4GU6.5 • 70mm LED | <ul style="list-style-type: none"> • PAR30 / PAR30CMH • T4G8.5 • T6G12 • AR111 / CDMR111 • 111mm LED |
|  | Clear Lens | OPTB-CLR Ø2.00" (51mm) nom. | OPTC-CLR Ø2.90" (74mm) nom. | OPTD-CLR Ø4.40" (112mm) nom. |
| | Clear Lens - LED Film | OPTB-L-CLR Ø2.00" (51mm) nom. | N/A | N/A |
|  | UV Lens | OPTB-UVL Ø2.00" (51mm) nom. | OPTC-UVL Ø2.90" (74mm) nom. | OPTD-UVL Ø4.40" (112mm) nom. |
|  | Hex Cell Louver | OPTB-HXL Ø2.00" (51mm) nom. | OPTC-HXL Ø2.90" (74mm) nom. | OPTD-HXL Ø4.40" (112mm) nom. |
|  | Diffusion Lens | OPTB-DFL Ø2.00" (51mm) nom. | OPTC-DFL Ø2.90" (74mm) nom. | OPTD-DFL Ø4.40" (112mm) nom. |
| | Diffusion Lens - LED Film | OPTB-L-DFL Ø2.00" (51mm) nom. | OPTC-L-DFL Ø2.90" (74mm) nom. | OPTD-L-DFL Ø4.40" (112mm) nom. |
|  | Linear Spread Lens | OPTB-LSL Ø2.00" (51mm) nom. | OPTC-LSL Ø2.90" (74mm) nom. | OPTD-LSL Ø4.40" (112mm) nom. |
| | Linear Spread Lens - LED Film | OPTB-L-LSL Ø2.00" (51mm) nom. | OPTC-L-LSL Ø2.90" (74mm) nom. | OPTD-L-LSL Ø4.40" (112mm) nom. |
|  | Prismatic Spread Lens | OPTB-PSL Ø2.00" (51mm) nom. | OPTC-PSL Ø2.90" (74mm) nom. | OPTD-PSL Ø4.40" (112mm) nom. |
|  | Snoot - Black | OPTB-SNB Ø2.00" (51mm) nom. | OPTC-SNB Ø2.90" (74mm) nom. | OPTD-SNB Ø4.40" (112mm) nom. |
| | Snoot - White | OPTB-SNW Ø2.00" (51mm) nom. | OPTC-SNW Ø2.90" (74mm) nom. | OPTD-SNW Ø4.40" (112mm) nom. |
| | Snoot - Silver | OPTB-SNS Ø2.00" (51mm) nom. | OPTC-SNS Ø2.90" (74mm) nom. | OPTD-SNS Ø4.40" (112mm) nom. |
| | Snoot - White With Black Splay | OPTB-SNWB Ø2.00" (51mm) nom. | OPTC-SNWB Ø2.90" (74mm) nom. | OPTD-SNWB Ø4.40" (112mm) nom. |
| | Snoot - Silver With Black Splay | OPTB-SNSB Ø2.00" (51mm) nom. | OPTC-SNSB Ø2.90" (74mm) nom. | OPTD-SNSB Ø4.40" (112mm) nom. |

* Other filters, colored glass, dichroics & micro-lenses available upon request