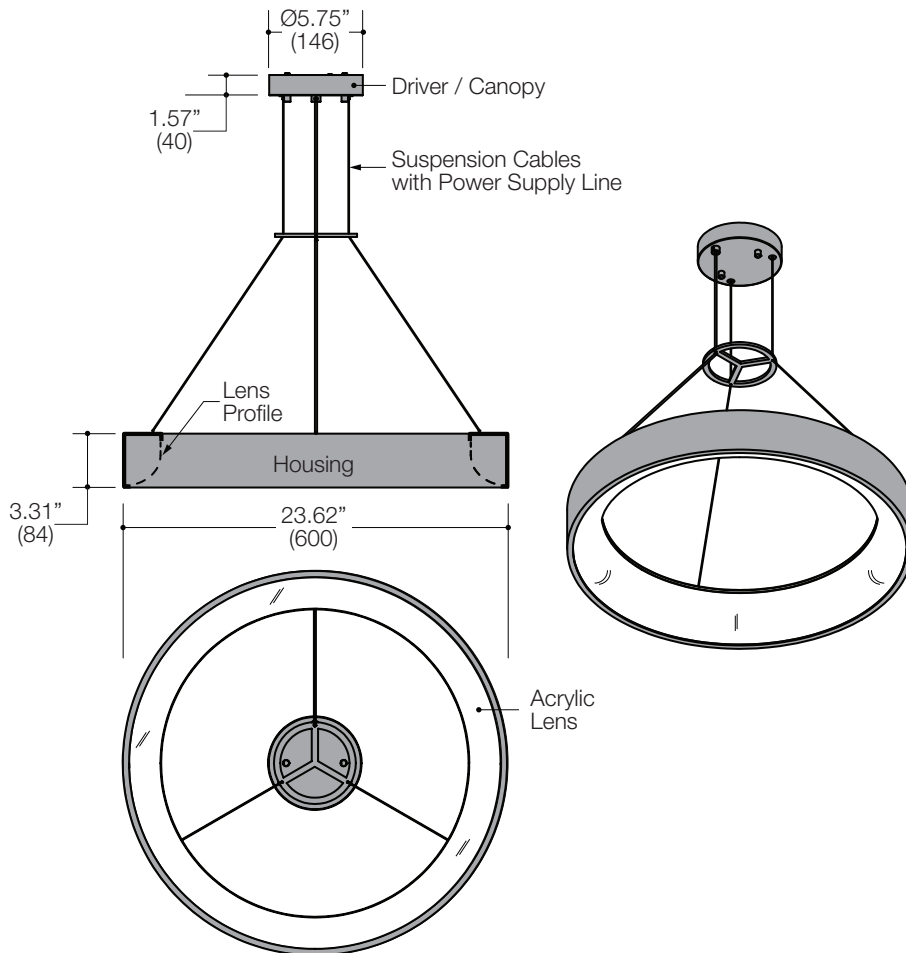


PROJECT	TYPE	CATALOG NUMBER
---------	------	----------------

Measurements in () are metric equivalents.



Specifications



CONSTRUCTION

- Die formed circular LED housing
- Molded satin acrylic lens
- Spun steel canopy and driver enclosure
- Powder coat finish

LED SOURCE

- LED strip circumferentially mounted
- Direct / Indirect ambient light
- 28W / 1845lm, 90CRI / 3000K

ELECTRICAL

- Field accessible junction box wiring with power supply enclosure, access from below
- Integral thermo protection
- LED driver located in canopy

MOUNTING

- Canopy mounted directly to junction box
- Canopy, 6' aircraft cable, cable grip hardware (adjustable) and power lead

LABELS

- Suitable for damp location

**5 YEAR
WARRANTY**
Limited



ORDERING INFO

SERIES	WATTAGE / SIZE	CRI / COLOR	POWER SUPPLY	FINISH
RGLT LED Pendant Circular Suspended Ambient Lighting	28L 24" diameter 28W LED / 1845lm (@ 90CRI min / 3000K)	9030 90CRI / 3000K <i>(Other color temperatures available with special orders)</i>	D2U Dimming 0-10V Dim to Off (@ 120-277V)	SS Silver <i>(White or Black finish available with special orders)</i>
RGLT				

Ordering Example: **RGLT-28L-9030-D2U-SS**