

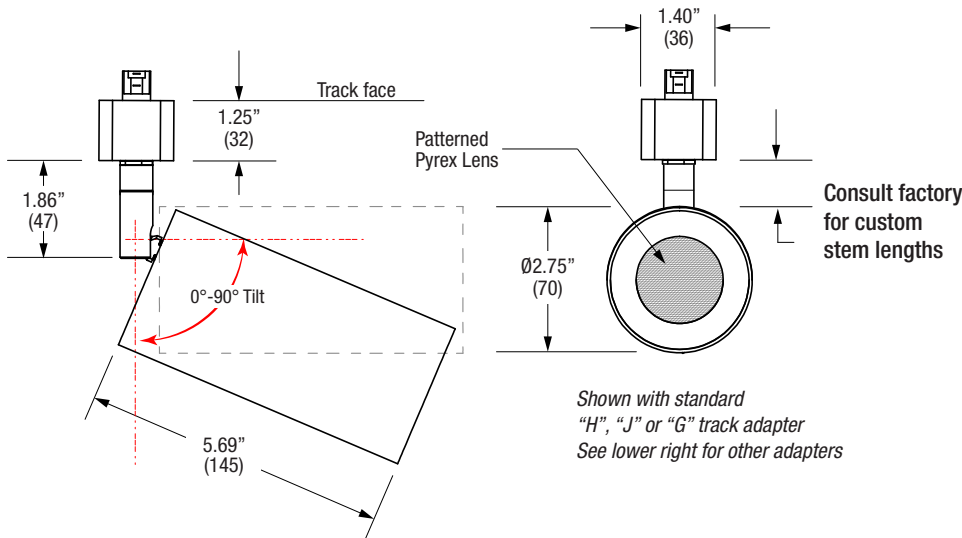
LED

INTEGRAL DRIVER

SMALL

PROJECT	TYPE	CATALOG NUMBER
---------	------	----------------

Measurements in ( ) are metric equivalents.



### TRACKHEAD

- 2.75" diameter cylinder shaped trackhead
- 0° - 90° vertical tilting / 360° horizontal rotation
- Constant friction
- Die cast aluminum housing
- LED optical grade reflector
- Powder coat finish

### LED SOURCE

- CREE**
- 17W / 1280lm, 80CRI min / 4000K
- PHILIPS - CRISP WHITE**
- 17W / 880lm, 90CRI / 3000K
  - Field replaceable optics available, allows for 15°, 24°, 35° and 51° distribution
  - Will accept 1 additional media accessory
  - Thru ventilation passively cooled thermal management

### ELECTRICAL

- Fully integral ELV phase dimmable LED driver
- Phase dimmable power supply
- 1 or 2 circuit track compatible

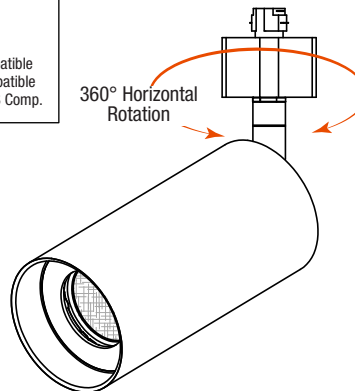
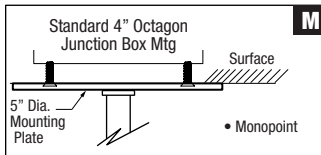
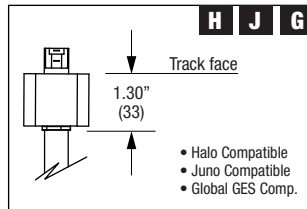
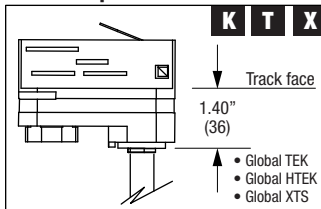
### MOUNTING

- Compatible with Halo®, Juno®, Global® GES track or Global® TEK track

### LABELS

- Suitable for dry location

### Track Adapters



Halo® is a registered trademark of Cooper Industries,  
Juno® is a registered trademark of Juno Lighting,  
Global® is a registered trademark of Nordic Aluminum.

**5 YEAR WARRANTY**  
Limited



### ORDERING INFO

SERIES	ADAPTER	WATTAGE	CRI / COLOR	BEAM	POWER SUPPLY	VOLTAGE	FINISH
<b>TRA06B</b>  <b>SLEEVE</b> <b>Trackhead</b> Die-Cast Aluminum Adjustable Aim	<b>H</b> Halo® compatible	<b>17C</b> 17W LED 1280 lm nom.	<b>8027</b> 80CRI / 2700K	<b>N</b> Narrow 15°	<b>LD</b> LED Driver	<b>1</b> 120V	<b>BB</b> Black
	<b>J</b> Juno® compatible		<b>8030</b> 80CRI / 3000K	<b>M</b> Medium 24°			
	<b>G</b> Global® GES compatible	<b>17W</b> 17W LED 880lm nom. Crisp White	<b>8035</b> 80CRI / 3500K	<b>W</b> Wide 35°	<b>D1</b> Reverse Phase ELV Dimming (120V only)	<b>2</b> 277V (HTEK only)	<b>WW</b> White
	<b>T</b> Global® TEK compatible		<b>8040</b> 80CRI / 4000K	<b>V</b> Very wide 51°			
	<b>K</b> Global® HTEK compatible		<b>9527</b> 95CRI / 2700K		<b>D2</b> 0-10V Dim Driver (Monopoint Only)	<b>U</b> 120-277V (Monopoint only)	<b>SS</b> Silver
	<b>X</b> Global® XTS compatible		<b>9530</b> 95CRI / 3000K				
	<b>M</b> Monopoint		<b>9030</b> 90CRI / 3000K				

Ordering Example: **TRA06B-T-17C-8030-N-D1-1-WW**

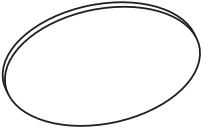
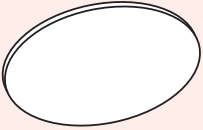
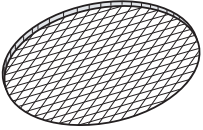
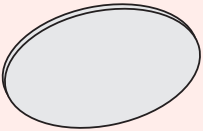
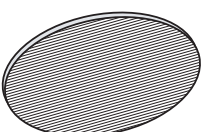
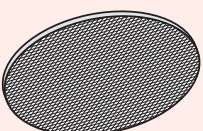
©2017 LF ILLUMINATION LLC

We reserve the right to change or withdraw specifications without prior notice.

HEADQUARTERS  
9200 Deering Avenue  
Chatsworth CA 91311

Telephone: 818-885-1335  
Toll Free: 855-885-1335  
Fax: 818-576-1335

[www.lfillumination.com](http://www.lfillumination.com)  
rev: 012317

OPTICAL ACCESSORY	DESCRIPTION	LIGHT SOURCE
		SMALL
		• 50mm LED
	Clear Lens	OPTB-CLR Ø2.00" (51mm) nom.
	Clear Lens - LED Film	OPTB-L-CLR Ø2.00" (51mm) nom.
	UV Lens	OPTB-UVL Ø2.00" (51mm) nom.
	Hex Cell Louver	OPTB-HXL Ø2.00" (51mm) nom.
	Diffusion Lens	OPTB-DFL Ø2.00" (51mm) nom.
	Diffusion Lens - LED Film	OPTB-L-DFL Ø2.00" (51mm) nom.
	Linear Spread Lens	OPTB-LSL Ø2.00" (51mm) nom.
	Linear Spread Lens - LED Film	OPTB-L-LSL Ø2.00" (51mm) nom.
	Prismatic Spread Lens	OPTB-PSL Ø2.00" (51mm) nom.

\* Other filters, colored glass, dichroics & micro-lenses available upon request