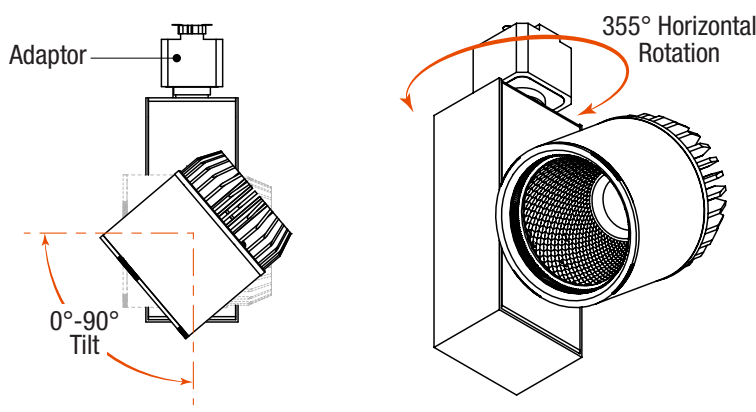
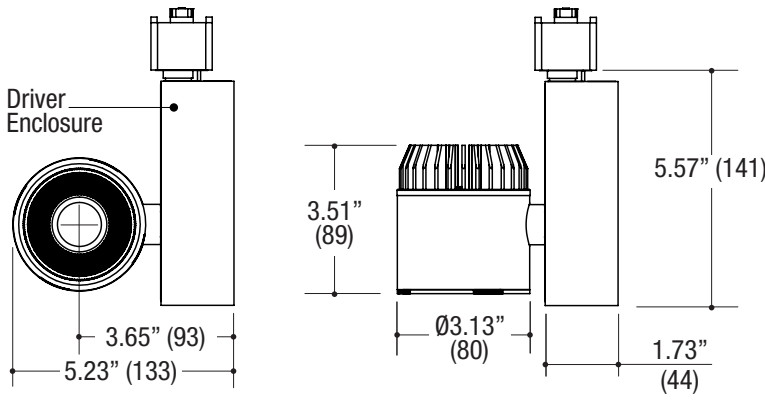


PROJECT	TYPE	CATALOG NUMBER
---------	------	----------------

Measurements in () are metric equivalents.



TRACKHEAD

- 3.13" diameter simple cylinder shaped trackhead
- 0° - 90° vertical tilting / 355° horizontal rotation
- Die cast aluminum optical housing
- Easy access via removable front ring
- Powder coat finish

LED SOURCE

CREE

- Field-changeable optic
- Accepts up to 2 optical accessories
- 08W / 962lm del. @ 80CRI / 3000K Narrow Beam
- 13W / 1294lm del. @ 80CRI / 3000K Narrow Beam
- 19W / 1860lm del. @ 80CRI / 3000K Narrow Beam
- 26W / 2500lm del. @ 80CRI / 3000K Narrow Beam

ValuDIM™

- 15W LED / 874lm 3000-1800K Warm Dimming

ELECTRICAL

- Integral LED driver
- Dimmable power supply available
- 1 or 2 circuit track compatible

MOUNTING

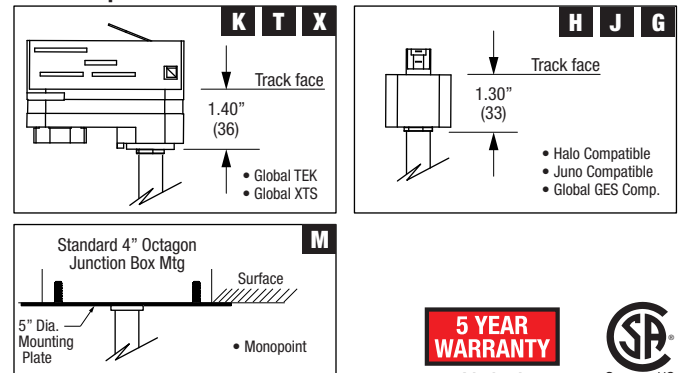
- Compatible with Halo®, Juno®, Global® track or Direct Monopoint

LABELS

- Suitable for dry location

- Halo® is a registered trademark of Cooper Industries.
- Juno® is a registered trademark of Juno Lighting.
- Global® is a registered trademark of Nordic Aluminium.

Track Adapters



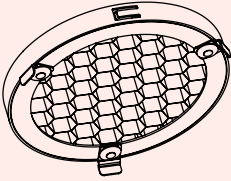
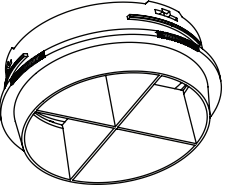
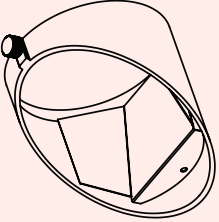
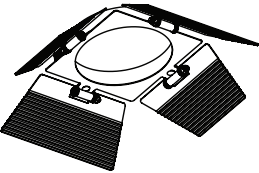
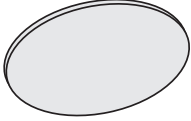
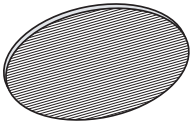
5 YEAR WARRANTY
Limited



ORDERING INFO

SERIES	ADAPTER	WATTAGE	CRI / COLOR	BEAM	POWER SUPPLY / VOLTAGE	FINISH
TRA23B	H Halo® compatible*	08C 08W LED	8027 80CRI / 2700K	N	D11	BB
	J Juno® compatible*	962lm delivered	8030 80CRI / 3000K	Narrow 13°	Phase Dimable 120V	Black
	G Global® GES compatible*	13C 13W LED	8035 80CRI / 3500K	M	(H, J, G, T or X Adapter Only)	WW
	T Global® TEK compatible	1294lm delivered	8040 80CRI / 4000K	Medium 22°	DMU	White
RYLIE Small Cylinder Trackhead Die-Cast Aluminum Adjustable Aim	K Global® HTEK compatible	19C 19W LED	8050 80CRI / 5000K	W	Dimming Multiple	SS
	X Global® XTS compatible	1860lm delivered	9227 92CRI / 2700K	Wide 30°	Forward/Reverse Phase	Silver
	M Monopoint	26C 26W LED	9230 92CRI / 3000K	Very Wide 50°	@ 120V	WB
	* One Circuit Compatible Only	2500lm delivered	9235 92CRI / 3500K		0-10V Wires Present	White housing /
		ValuDIM™	9240 92CRI / 4000K		@ 120-277V	Black bezel
		15V 15W LED	9250 92CRI / 5000K		(M Adapter Only)	
		874lm delivered			LD2	
		3000-1800K			Non-Dimmable LED Driver	
		Warm Dimming			277V (K Adapter Only)	

Ordering Example: **TRA23B-T-13C-8030-N-D11-WW**

OPTICAL ACCESSORY	DESCRIPTION	LED SOURCE		
		EF208B / EF408B	EF208C / EF408C	EF208D / EF408D
	Hex Cell Louver - Black	OPT-EF208B-HXL Ø2.00" (51mm) nom.	OPT-EF208C-HXL Ø2.36" (60mm) nom.	OPT-EF208D-HXL Ø3.27" (83mm) nom.
	Snoot with Cross Baffle White	OPT-EF208B-CBWW Ø2.56" (65mm) nom.	OPT-EF208C-CBWW Ø3.31" (84mm) nom.	OPT-EF208D-CBWW Ø4.14" (105mm) nom.
	Snoot with Cross Baffle Black	OPT-EF208B-CBBB Ø2.56" (65mm) nom.	OPT-EF208C-CBBB Ø3.31" (84mm) nom.	OPT-EF208D-CBBB Ø4.14" (105mm) nom.
	Wallwash - White	OPT-EF208B-WWWW Ø2.56" (65mm) nom.	OPT-EF208C-WWWW Ø3.31" (84mm) nom.	OPT-EF208D-WWWW Ø4.14" (105mm) nom.
	Wallwash - Black	OPT-EF208B-WWBB Ø2.56" (65mm) nom.	OPT-EF208C-WWBB Ø3.31" (84mm) nom.	OPT-EF208D-WWBB Ø4.14" (105mm) nom.
	Barn Doors - Black	OPT-EF208B-BDBB	OPT-EF208C-BDBB	OPT-EF208D-BDBB
	Diffused Lens	OPT-EF208B-P-DFL	OPT-EF208C-P-DFL	OPT-EF208D-P-DFL
	Linear Spread Lens	OPT-EF208B-P-LSL	OPT-EF208C-P-LSL	OPT-EF208D-P-LSL