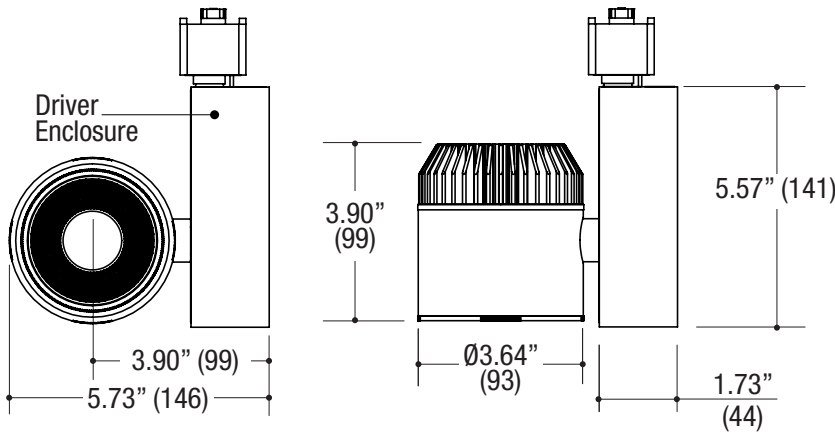


| | | |
|---------|------|----------------|
| PROJECT | TYPE | CATALOG NUMBER |
|---------|------|----------------|

Measurements in () are metric equivalents.



TRACKHEAD

- 3.64" diameter simple cylinder shaped trackhead
- 0° - 90° vertical tilting / 355° horizontal rotation
- Die cast aluminum optical housing
- Easy access via removable front ring
- Powder coat finish

LED SOURCE

CREE

- Field-changeable optic
- Accepts up to 2 optical accessories
- 19W / 1920lm del. @ 80CRI min / 3000K Narrow Beam
- 26W / 2543lm del. @ 80CRI min / 3000K Narrow Beam
- 34W / 3097lm del. @ 80CRI min / 3000K Narrow Beam

ELECTRICAL

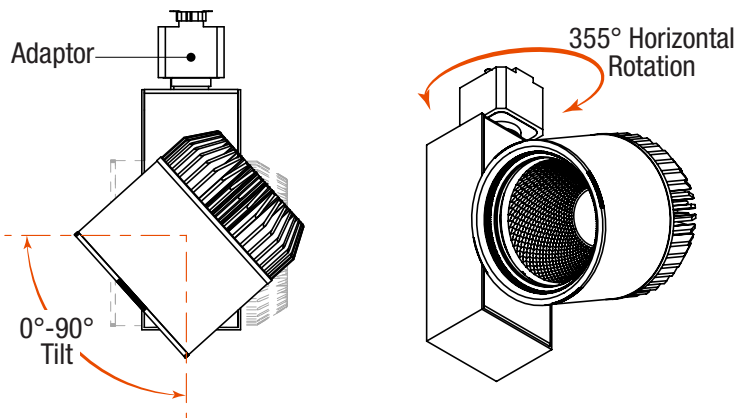
- Integral LED driver
- Dimmable power supply available
- 1 or 2 circuit track compatible

MOUNTING

- Compatible with Halo®, Juno®, Global® track or Direct Monopoint

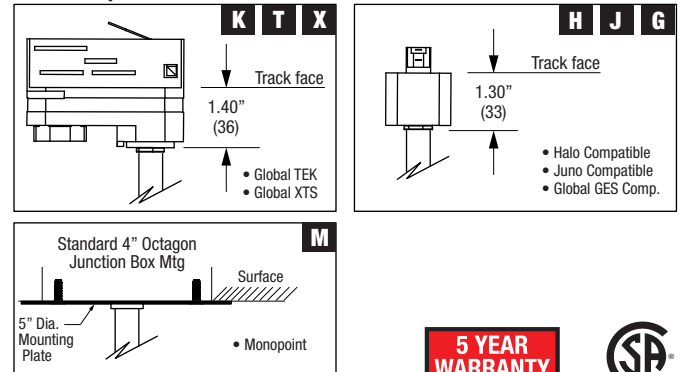
LABELS

- Suitable for dry location



- Halo® is a registered trademark of Cooper Industries.
- Juno® is a registered trademark of Juno Lighting.
- Global® is a registered trademark of Nordic Aluminium.

Track Adapters



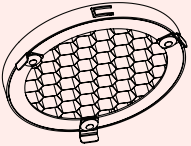
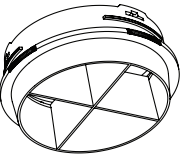
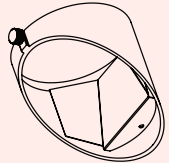
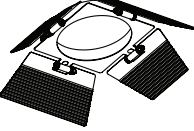

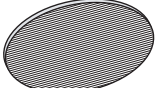
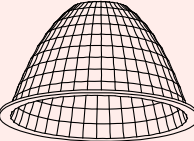
5 YEAR WARRANTY
Limited



ORDERING INFO

| SERIES | ADAPTER | WATTAGE | CRI / COLOR | BEAM | POWER SUPPLY / VOLTAGE | FINISH |
|--|----------------------------------|---|---------------------------|---|--|--|
| TRA23C RYLIE Medium Cylinder Trackhead Die-Cast Aluminum Adjustable Aim | H Halo® compatible | 19C 19W LED 1920lm delivered | 8027 80CRI / 2700K | N Narrow 14° M Medium 24° W Wide 42° | D11 Phase Dimmable 120V (H, J, G, T or X Adapter Only) DMU Dimming Multiple Forward/Reverse Phase @ 120V 0-10V Wires Present @ 120-277V (M Adapter Only) LD2 Non-Dimmable LED Driver 277V (K Adapter Only) | BB Black WW White SS Silver WB White housing / Black bezel |
| | J Juno® compatible | | 8030 80CRI / 3000K | | | |
| | G Global® GES compatible | 26C 26W LED 2543 lm delivered | 8035 80CRI / 3500K | | | |
| | T Global® TEK compatible | | 8040 80CRI / 4000K | | | |
| | K Global® HTEK compatible | 34C 34W LED 3097lm delivered | 8050 80CRI / 5000K | | | |
| | X Global® XTS compatible | | 9227 92CRI / 2700K | | | |
| | M Monopoint | 9230 92CRI / 3000K | 9235 92CRI / 3500K | | | |
| | | 9240 92CRI / 4000K | 9240 92CRI / 4000K | | | |
| | | 9250 92CRI / 5000K | 9250 92CRI / 5000K | | | |

Ordering Example: **TRA23C-T-26C-8030-N-D11-WW**

| OPTICAL ACCESSORY | DESCRIPTION | LED SOURCE | | |
|---|-------------------------------|------------------|------------------|------------------|
| | | EF208B / EF408B | EF208C / EF408C | EF208D / EF408D |
|  | Hex Cell Louver - Black | OPT-EF208B-HXL | OPT-EF208C-HXL | OPT-EF208D-HXL |
|  | Snoot with Cross Baffle White | OPT-EF208B-CBWW | OPT-EF208C-CBWW | OPT-EF208D-CBWW |
| | Snoot with Cross Baffle Black | OPT-EF208B-CBBB | OPT-EF208C-CBBB | OPT-EF208D-CBBB |
|  | Wallwash - White | OPT-EF208B-WWWW | OPT-EF208C-WWWW | OPT-EF208D-WWWW |
| | Wallwash - Black | OPT-EF208B-WWBB | OPT-EF208C-WWBB | OPT-EF208D-WWBB |
|  | Barn Doors - White | OPT-EF208B-BDWW | OPT-EF208C-BDWW | OPT-EF208D-BDWW |
| | Barn Doors - Black | OPT-EF208B-BDBB | OPT-EF208C-BDBB | OPT-EF208D-BDBB |
|  | Diffused Lens | OPT-EF208B-P-DFL | OPT-EF208C-P-DFL | OPT-EF208D-PDFL |
|  | Linear Spread Lens | OPT-EF208B-P-LSL | OPT-EF208C-P-LSL | OPT-EF208D-P-LSL |
|  | Narrow Beam | OPT-EF208B-REFLN | OPT-EF208C-REFLN | OPT-EF208D-REFLN |
| | Medium Beam | OPT-EF208B-REFLM | OPT-EF208C-REFLM | OPT-EF208D-REFLM |
| | Wide Beam | OPT-EF208B-REFLW | OPT-EF208C-REFLW | OPT-EF208D-REFLW |
| | Very Wide Beam | OPT-EF208B-REFLV | N/A | OPT-EF208D-REFLV |