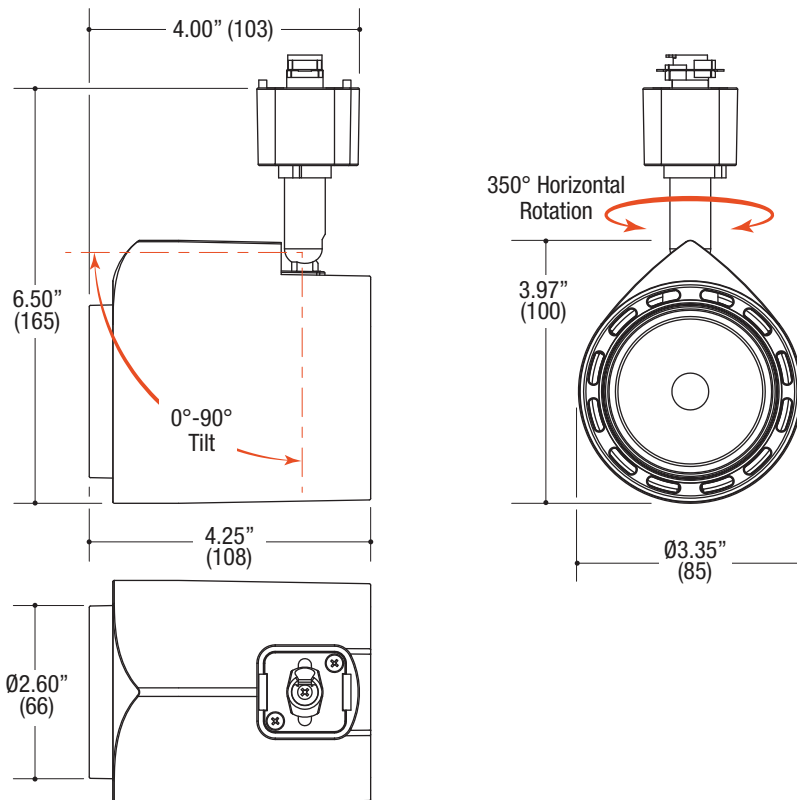


PROJECT	TYPE	CATALOG NUMBER
---------	------	----------------

EMILY Cylindrical Trackhead



Specifications

TRACKHEAD

- Cylinder shaped trackhead
- 0° - 90° vertical tilting / 350° horizontal rotation
- Die cast aluminum heatsink housing
- Optimal thermal dissipation
- Powder coat finish

LED SOURCE

CREE

- Interchangeable optics
- 13W / 1045lm (@ 92CRI / 3000K nom.)
- 19W / 1583lm (@ 92CRI / 3000K nom.)

ELECTRICAL

- Integral LED driver

MOUNTING

- Compatible with Juno®, Halo®, GES®, TEK®, XTS® or Lightolier®

LABELS

- Suitable for dry location



*Halo® is a registered trademark of Cooper Industries,
Juno® is a registered trademark of Juno Lighting,
Global® is a registered trademark of Nordic Aluminium.
Lightolier® is a registered trademark of Philips.*

ORDERING INFO

SERIES	ADAPTER	WATTAGE	CRI	COLOR	BEAM	POWER SUPPLY	VOLTAGE	FINISH
TRA24-B EMILY SMALL TRACKHEAD Die-Cast Aluminum Adjustable Aim	H Halo® compatible	13C 13W LED 1045lm del.	92	27 2700	M Medium Reflector 24°	D1 Phase Dimming (120V dimming only)	1 120V	BB Black WW White SS Silver
	J Juno® compatible			30 3000			4* 240V	
	G Global® GES compatible	19C 19W LED 1583lm del.		35 3500	Optional Optics: Narrow: LF# OPT-TRA24B-REFLN 15° Wide: LF# OPT-TRA24B-REFLW 40° Very Wide: LF# OPT-TRA24B-REFLV 60°		* "X" Adapter Only	
	T Global® TEK compatible		40 4000					
	X Global® XTS compatible			50 5000				
	L Lightolier compatible	Delivered @ 92CRI / 3000K Narrow Beam						

Ordering Example: **TRA24-B-J-13C-92-35-M-D1-1-WW**