

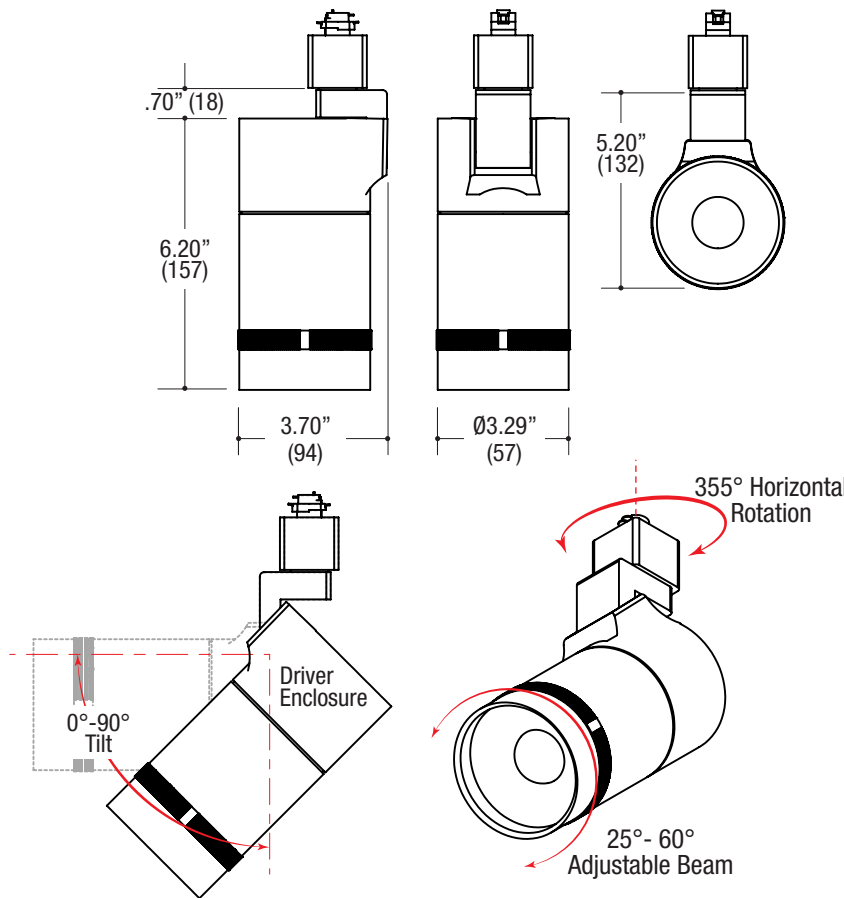
LED

INTEGRAL DRIVER

SMALL

PROJECT	TYPE	CATALOG NUMBER
---------	------	----------------

Measurements in () are metric equivalents.



Specifications

TRACKHEAD

- 3.29" diameter simple cylinder shaped trackhead
- 0° - 90° vertical tilting / 355° horizontal rotation
- Die cast aluminum head & power supply housing
- Adjustable beam spread from 25° to 60°
- LED optical grade reflector
- Powder coat finish

LED SOURCE



- 19W / 1900lm nom., 80CRI / 3000K
- 26W / 2815lm nom., 80CRI / 3000K

ELECTRICAL

- Integral LED driver
- Dimmable power supply available

MOUNTING

- Compatible with Halo®, Juno®, or Global® track or direct to junction box

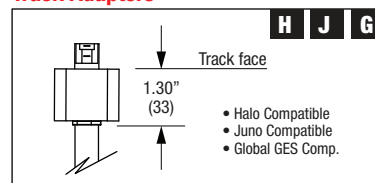
LABELS

- Suitable for dry location

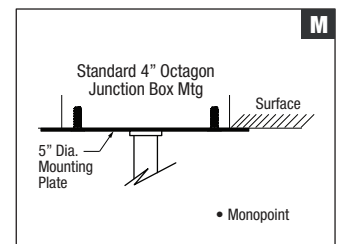
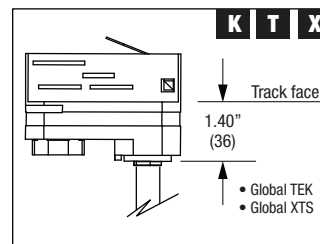
5 YEAR WARRANTY
Limited



Track Adapters



Halo® is a registered trademark of Cooper Industries.
 Juno® is a registered trademark of Juno Lighting.
 Global® is a registered trademark of Nordic Aluminum.



ORDERING INFO

SERIES	ADAPTER	WATTAGE	CRI / COLOR	BEAM	POWER SUPPLY	VOLTAGE	FINISH
TRA25B AVA Series Small Cylinder Trackhead Die-Cast Aluminum Adjustable Beam	H Halo® compatible*	19C 19W LED	8027 80CRI / 2700K	A Adjustable 25° - 60°	LD LED Driver Non-Dimming (277V only)	1 120V	BB Black
	J Juno® compatible*		8030 80CRI / 3000K				
	G Global® GES compatible*	26C 26W LED	8040 80CRI / 4000K				
	T Global® TEK compatible	8050 80CRI / 5000K					
	K Global® HTEK compatible	9227 92CRI / 2700K					
	X Global® XTS compatible	9230 92CRI / 3000K					
	M Monopoint	9240 92CRI / 4000K					
		9250 92CRI / 5000K					
				D2 0-10V Dim Driver (Monopoint Only)			

* One Circuit Compatible Only

Ordering Example: **TRA25B-H-26C-8030-A-D1-1-BB**

©2019 LF ILLUMINATION LLC

We reserve the right to change or withdraw specifications without prior notice.

HEADQUARTERS
 9200 Deering Avenue
 Chatsworth CA 91311

Telephone: 818-885-1335
 Toll Free: 855-885-1335
 Fax: 818-576-1335

www.lfillumination.com
 rev: 041719