

Warnings:

- * Risk of fire or electric shock.
- * **Disconnect all power before installing or servicing.**
- * Installation Instructions for qualified electricians only.
- * Install per National Electrical Code and local regulations.
- * Read Installation Instructions completely before installation.
- * Failure to follow Installation Instructions may void warranties.



THIS PRODUCT MUST BE INSTALLED IN ACCORDANCE WITH THE APPLICABLE INSTALLATION CODE BY A PERSON FAMILIAR WITH THE CONSTRUCTION AND OPERATION OF THE PRODUCT AND THE HAZARDS INVOLVED.

Note: The trim and control gear assembly are pre-wired with quick-connect leads for ease of installation.

CEILING PREPARATION:

Step 1. The VF100 Series REQUIRES A CEILING CUT OUT OF 4.09" (104mm) round or square. A clean and precise cut is optimal. INSERT PRE-TRIM INSTALLATION COLLAR
See Fig. 1

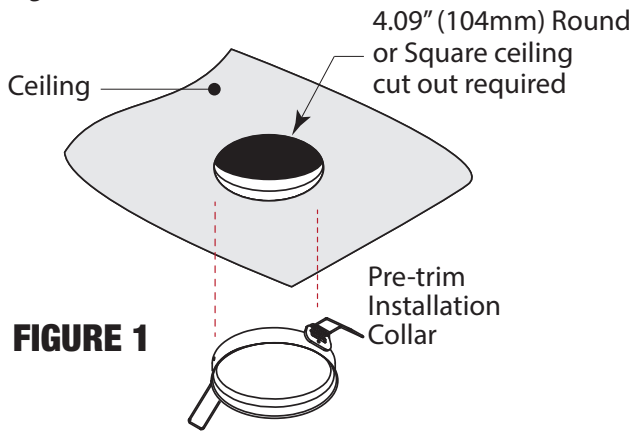


FIGURE 1

ELECTRICAL INSTALLATION:

Step 2. PULL POWER SUPPLY LINE through ceiling cut-out. CONNECT CONTROL GEAR assembly as required. *See Fig. 2*

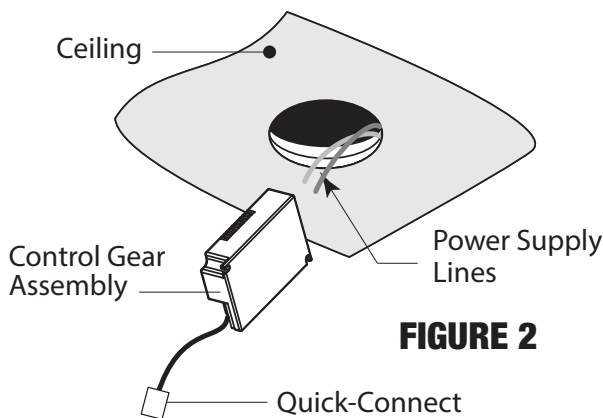


FIGURE 2

TRIM PREPARATION:

Step 3. Once supply line is connected, INSERT CONTROL GEAR ASSEMBLY INTO CEILING OPENING and rest nearby on ceiling material. *See Fig. 3*

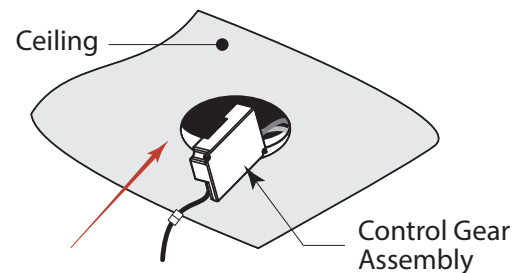


FIGURE 3

TRIM INSTALLATION:

Step 4. Trim assembly is supplied with an apposing QUICK CONNECT AT THE MODULE. Connect trim to control gear assembly and insert trim into the pre-trim installation collar. Trim will snap into place with spring loaded ball catchers
See Fig. 4

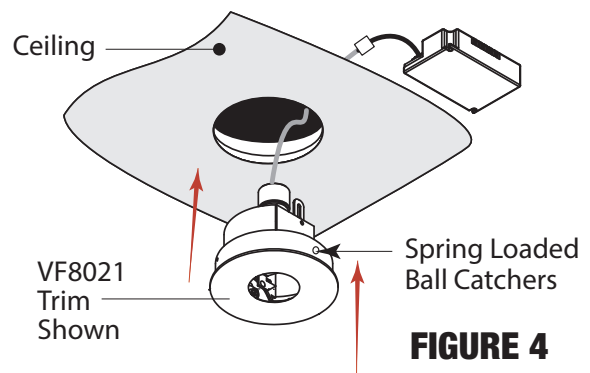


FIGURE 4

It is IMPORTANT TO READ instruction sheet completely before installation