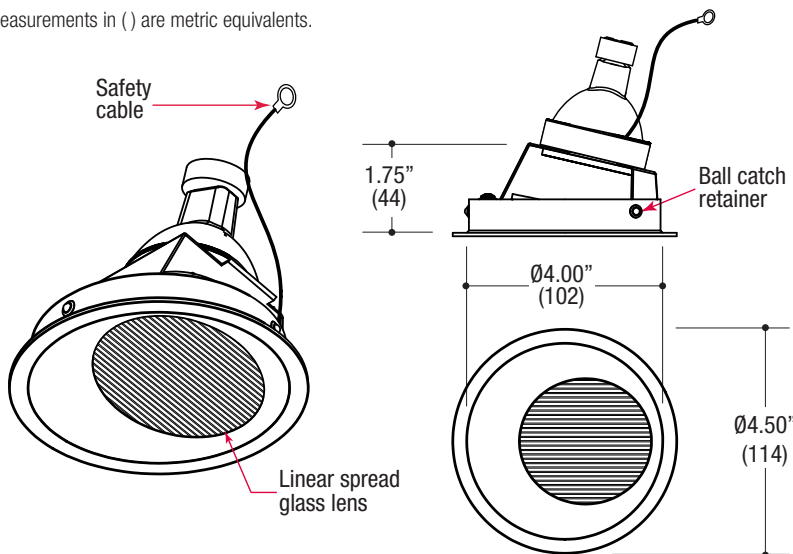


PROJECT	TYPE	CATALOG NUMBER
---------	------	----------------

8431 **ROUND FIXED WALLWASH ACCENT** - The VF100 Series of recessed downlight and housing configurations represent the pinnacle of innovation and design of small aperture products for the architectural industry. Available in an LED retrofit that works with SORAA®.

Measurements in () are metric equivalents.



Specifications

ROUND WALLWASH

- Recessed fixed wallwash
- 4.50" round die-cast aluminum trim
- .25" face trim
- Linear spread lens
- 1.75" regress for greater cut-off
- Ball catch retainer for easy trim insertion and removal safety cable included
- Powder coat finish

TRIM ORDERING INFO

TRIM SERIES	TRIM FINISH
8431	MB Black MW White XX Custom
4.50" ROUND Fixed Wallwash Die-Cast Aluminum Trim Linear Spread Lens	

Example: **8431-MW**

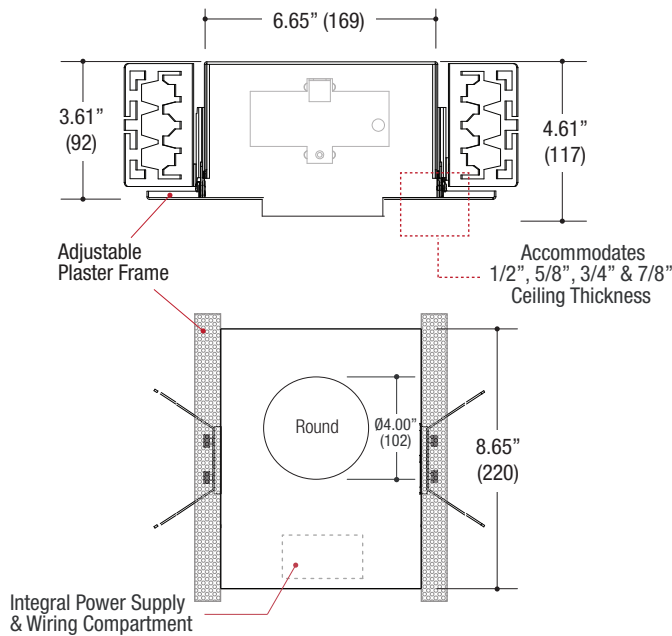


HOUSING ORDERING INFO

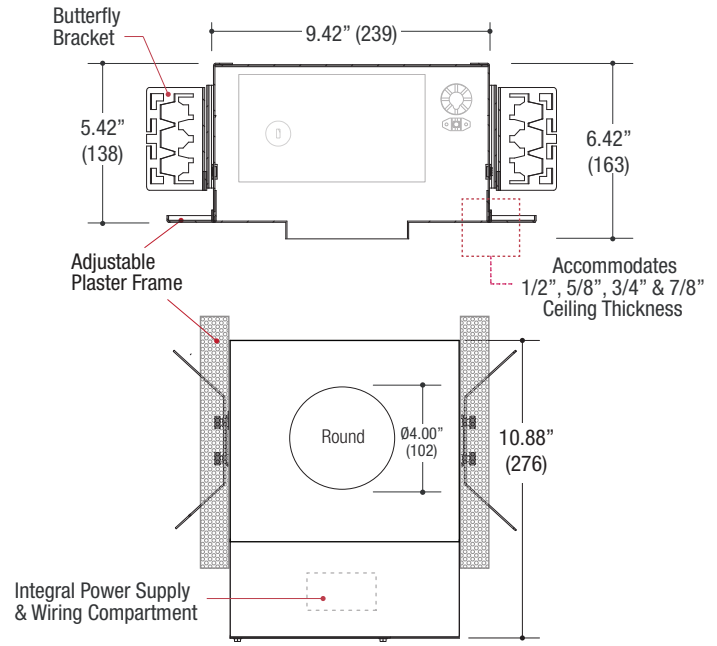
SERIES	WATTAGE / LAMP	POWER SUPPLY	VOLTAGE	OPTIONS
VFR-1AA-T Mini Round Trimmed New Construction Housing	020MR16X MR16 20W	ET Electronic Transformer MT Magnetic Transformer TT Q-Tran Toroidal Transformer*	1 120V 2 277V	IC Insulated Ceiling*
	037MR16X MR16 37W			
VFR-1BA-T Small Round Trimmed New Construction Housing	050MR16X MR16 50W	* 20W max. VFR-1AA-T mini housing		* MR16 only - 20W max VFR-1AA-T mini housing - 37W max VFR-1BA-T small housing
	015MR16X MR16 15W LED Retrofit			
	020CM16X 20W CMHMR16* 039CM16X 39W CMHMR16*			
Black finish is standard	* Not available in VFR-1AA-T mini housing	* Not available in VFR-1AA-T mini housing		

Ordering Example: **VFR-1BA-T-037MR16X-ET-1-IC**

Measurements in () are metric equivalents.



(VFR-1AA-T)
MINI SIZED HOUSING



(VFR-1BA-T)
SMALL SIZED HOUSING

Specifications

ROUND TRIMMED HOUSING

- Housing of all steel construction
- Adjustable plaster frame
- Black powder coat finish
- **Ceiling Cut-out - Ø4.18"**

LAMPS SOURCE *(lamp not included)*

- 12V MR16 50W max - Derate Labels Available
- CMHMR16 in 20W or 39W
- LED Retrofit 15W max - Works with SORAA®

ELECTRICAL

- Integral electronic, magnetic or toroidal transformer, metal halide ballast
- Electrical wiring compartment integrated into housing construction
- Thermal protection
- Easy maintenance access through ceiling opening
- Rated for through-branch wiring
- Dimmable (12V)

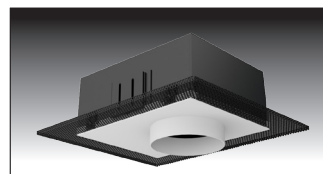
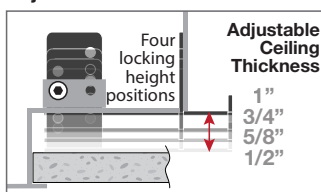
MOUNTING

- Butterfly brackets for commercial installation in drywall, wood, stone, acoustic tile, or other ceiling types
- Perforated plate adjusts for 1/2", 5/8", 3/4" & 7/8" ceiling thickness
- Includes Heavy-Duty **L-Bars™** hanger bar system for residential installation

LABELS

- Suitable for damp location
- **Air-Tight / IC Optional**

Adjustable Trim Detail



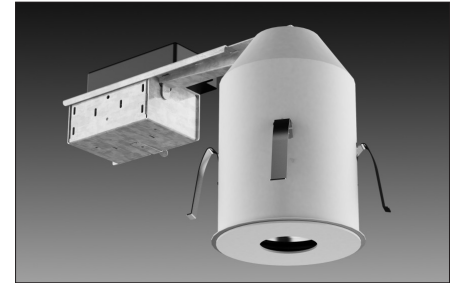
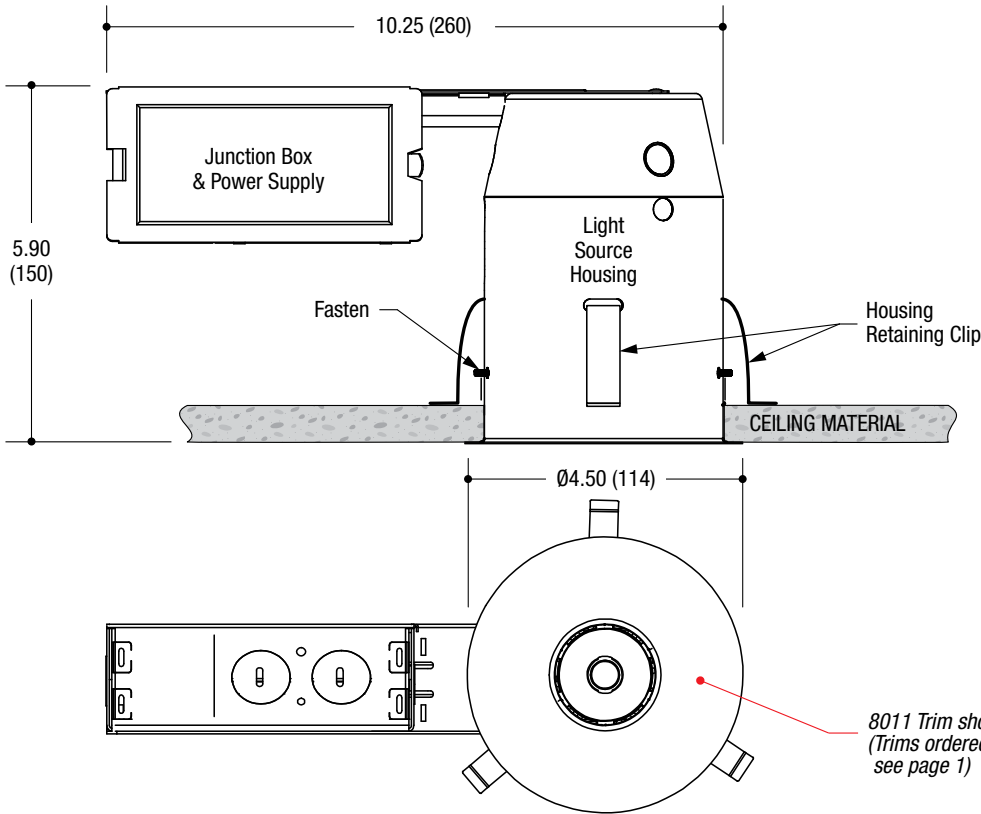
(VFR-1AA-T)
MINI SIZED HOUSING



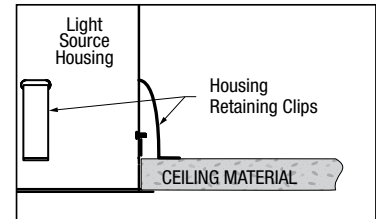
(VFR-1BA-T)
SMALL SIZED HOUSING



Measurements in () are metric equivalents.



Trim Detail



8011 Trim shown
(Trims ordered separately
see page 1)

Specifications

ROUND TRIM REMODEL HOUSING

- Galvanized steel construction
- Adjustable housing retaining clips
- Black powder coat finish
- **Ceiling Cut-out - Ø4.13"**
- 12V MR16 50W max - Derate Labels Available
- CMHMR16 in 20W or 39W
- LED Retrofit 15W max - Works with SORAA®

ELECTRICAL

- Electronic transformer or metal halide ballast
- Electrical wireway cover
- Thermal protection
- Easy maintenance access through ceiling opening
- Dimmable (12V)

MOUNTING

- Housing retaining clips for commercial installation in drywall, wood acoustic tile, or other ceiling types.

LABELS

- Type Non-IC
- Suitable for damp location

REMODEL HOUSING

ORDERING INFO

HOUSING SERIES	WATTAGE / LAMP	POWER SUPPLY	VOLTAGE	OPTIONS
VFR-1BR-T	020MR16X MR16 20W 037MR16X MR16 37W 050MR16X MR16 50W	ET Electronic Transformer	1 120V 2 277V	AT Air-Tight
VF100 SERIES 4.50" Round Trimmed Remodel Housing Black finish standard	015MR16X MR16 15W LED Retrofit 020CM16X 20W CMHMR16 039CM16X 39W CMHMR16	EB Electronic Metal Halide Ballast		
VFR-1BR-T				

Order Example: **VFR-1BR-T-020MR16X-ET-1-AT**

