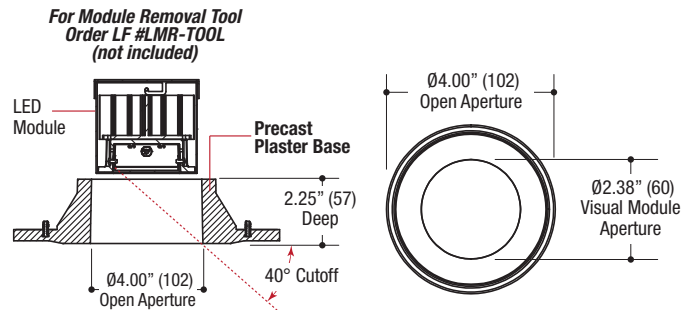
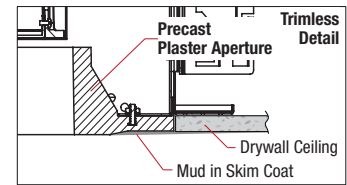
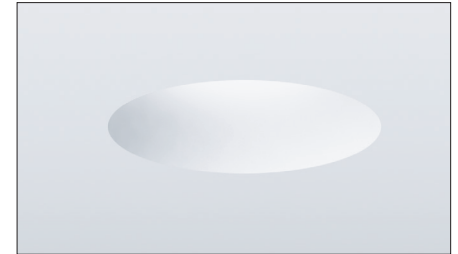
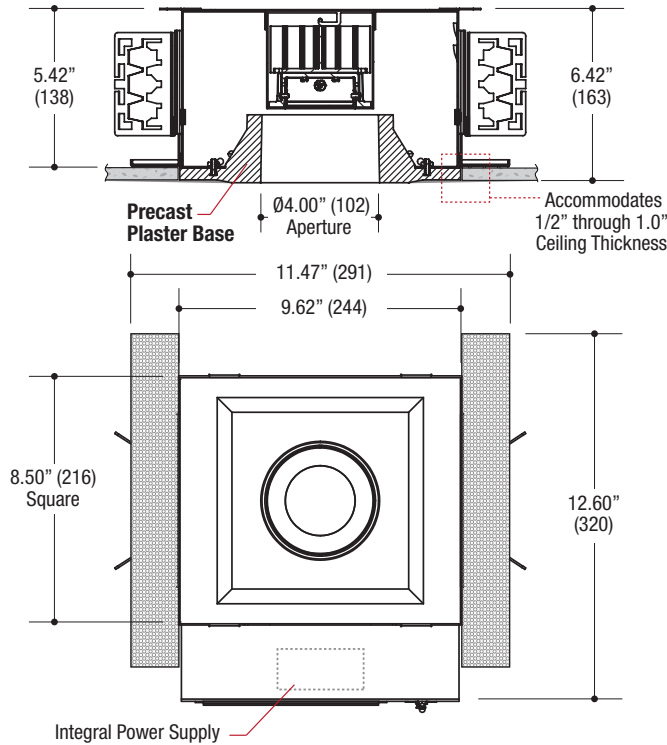


PROJECT	TYPE	CATALOG NUMBER
---------	------	----------------



## Specifications

### ROUND PLASTER TRIMLESS DOWNLIGHT

- Housing of all steel construction
- White powder coat finish
- 4.00" dia. x 2.25" deep aperture of precast plaster
- **Ceiling Cut-out - 9.62" x 8.50"**

### LED SOURCE

- Field-replaceable integral LED module
- 11W / 725lm, 90CRI / 3000K
- 16W / 1065lm, 90CRI / 3000K
- 25W / 1700lm, 90CRI / 3000K

### ORDERING INFO

HOUSING SERIES	WATTAGE	CRI / COLOR	BEAM	MECHANISM	DRIVER	FINISH	OPTIONS
<b>VF3R-1BA-S</b>	<b>11M</b> 11W LED 725lm nom.	<b>9027</b> 90CRI / 2700K <b>9030</b> 90CRI / 3000K	<b>W</b> Wide	<b>FD</b> Fixed	<b>DMU</b> Dimming Multiple Forward/Reverse Phase (@ 120V only) 0-10V Wires Present (@ 120-277V)	<b>WW</b> White	<b>CP</b> Chicago Plenum <b>EM</b> Emergency Relay <b>IC</b> Insulated Ceiling (IC rated 25W max.)
<b>VF300 SERIES</b>	<b>16M</b> 16W LED 1060 lm nom.	<b>9035</b> 90CRI / 3500K <b>9040</b> 90CRI / 4000K					
4.00" Round Precast Plaster Trimless Aperture Fixed Downlight New Construction Housing	<b>25M</b> 25W LED 1700 lm nom.	<b>9018</b> 90CRI / 2700K - 1800K Sunset Dimming					

Order Example: **VF3R-1BA-S-16M-9027-W-FD-DMU-WW-CP**

### ELECTRICAL

- Field-replaceable integral LED driver
- Electrical wiring compartment integrated into housing construction
- Internal thermal protection
- Easy maintenance access through ceiling opening
- Rated for through-branch wiring
- Optional dimming

### MOUNTING

- Butterfly brackets for commercial installation in drywall and other mud in ceiling types
- Perforated plate adjusts for 1/2", 5/8", 3/4" & 1.0" ceiling thickness
- Includes Heavy-Duty **L-Bars™** hanger bar system for residential installation

### LABELS

- Suitable for damp location
- **IC rated / Air-Tight**

**5 YEAR WARRANTY**  
 Limited

