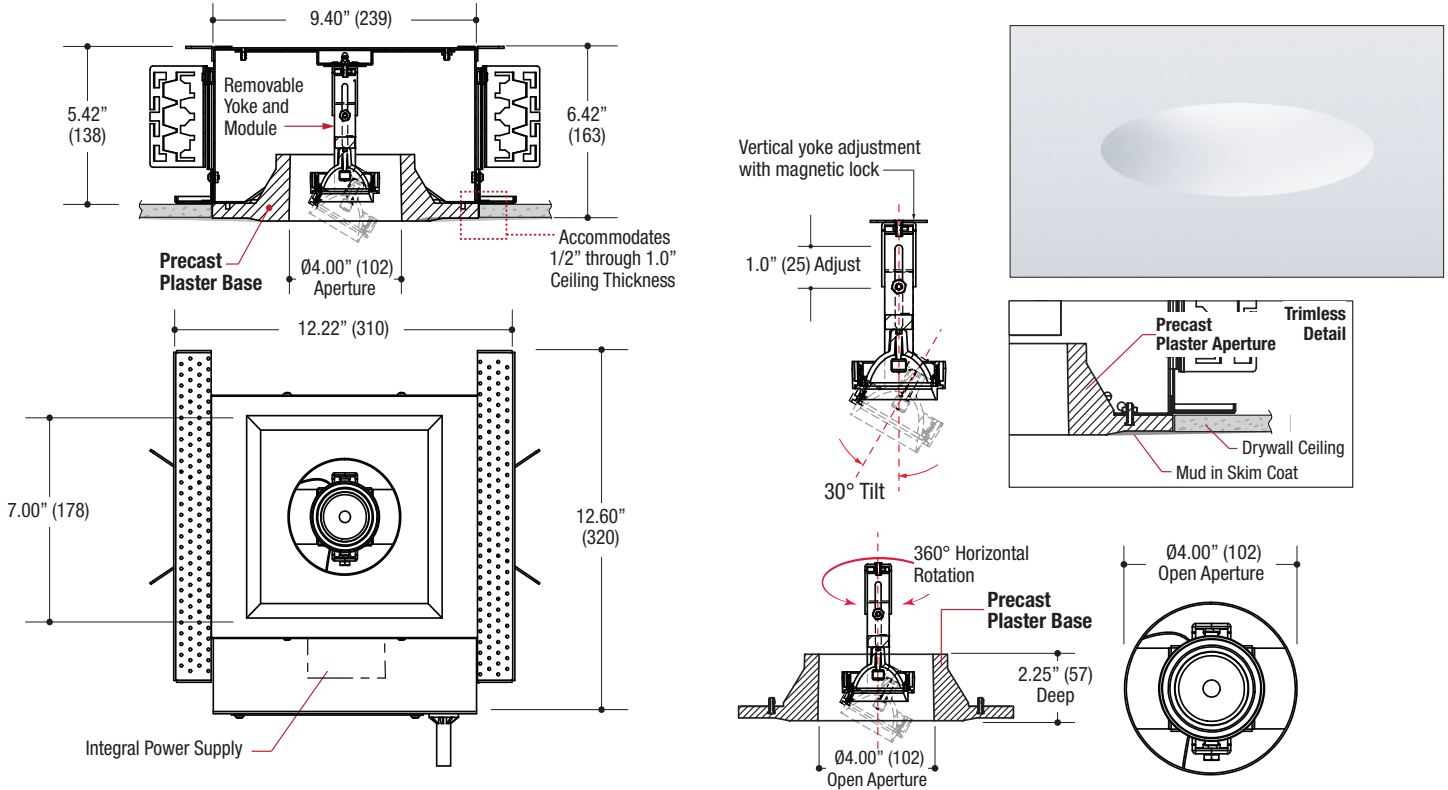


PROJECT	TYPE	CATALOG NUMBER
---------	------	----------------



Specifications

ROUND TRIMLESS DOWNLIGHT

- Housing of all steel construction
- White powder coat finish
- 4.00" dia. x 2.25" deep aperture of precast plaster
- **Ceiling Cut-out - 9.62" x 8.50"**

LAMPS SOURCE *(lamp not included)*

- 12V MR16 37W max - Derate Labels Available
- LED Retrofit 15W max - Works with SORAA®
- 1.00" vertical yoke adjustment with magnetic lock
- 360° horizontal rotation with 30° tilt aiming
- Accepts up to 2 or more optical accessories, dependent on lamp

ELECTRICAL

- Integral electronic transformer
- Electrical wiring compartment integrated into housing construction
- Internal thermal protection
- Easy maintenance access through ceiling opening
- Rated for through-branch wiring
- Dimmable (12V)

MOUNTING

- Butterfly brackets for commercial installation in drywall and other mud in ceiling types
- Perforated plate adjusts for 1/2", 5/8", 3/4" & 1.0" ceiling thickness
- Includes Heavy-Duty **L-Bars™** hanger bar system for residential installation

LABELS

- Suitable for damp location
- **IC rated / Air-Tight / Title 24 Compliant**



ORDERING INFO

HOUSING SERIES	WATTAGE / LAMP	MECHANISM	POWER SUPPLY	VOLTAGE	FINISH	OPTIONS
VF3R-1BA-S	020MR16X MR16 20W 037MR16X MR16 37W 050MR16X MR16 50W	AD Adjustable	ET Electronic Transformer	1 120V 2 277V	WW White	IC Insulated Ceiling (IC rated 37W max.)
VF300 SERIES 4.00" Round Precast Plaster Trimless Aperture Adjustable Downlight New Construction Housing	015MR16X MR16 15W LED Retrofit					

Order Example: **VF3R-1BA-S-020MR16X-AD-ET-1-WW-IC**