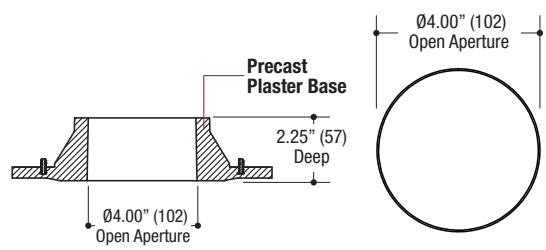
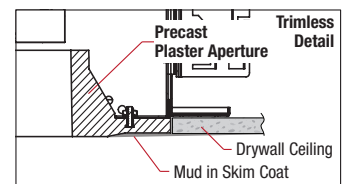
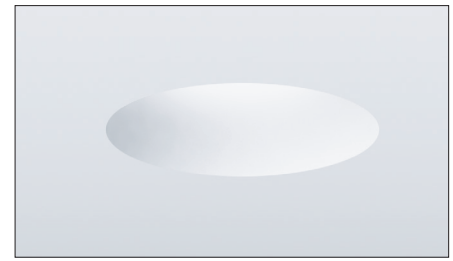
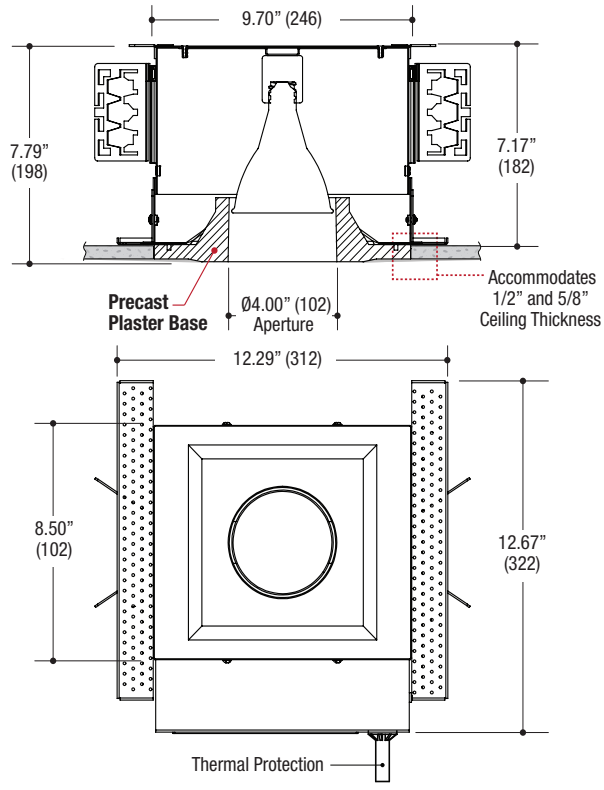


PROJECT	TYPE	CATALOG NUMBER
---------	------	----------------



## Specifications

### ROUND TRIMLESS DOWNLIGHT

- Housing of all steel construction
- White powder coat finish
- 4.00" dia. x 2.25" deep aperture of precast plaster
- **Ceiling Cut-out - 9.62" x 8.50"**

### LAMPS SOURCE (lamp not included)

- 20W (max) PAR30 120V medium base lamp

### ELECTRICAL

- Electrical wiring compartment integrated into housing construction
- Thermal protection
- Easy maintenance access through ceiling opening
- Rated for through-branch wiring
- Dimmable (line voltage only)

### MOUNTING

- Butterfly brackets for commercial installation in drywall and other mud in ceiling types
- Perforated plate adjusts for 1/2" and 5/8" ceiling thickness
- Includes Heavy-Duty **L-Bars™** hanger bar system for residential installation

### LABELS

- Suitable for damp location
- **IC rated / Air-Tight**

### ORDERING INFO

HOUSING SERIES	WATTAGE / LAMP	POWER SUPPLY	VOLTAGE	FINISH	SPECIAL
<b>VF3R-1BA-S</b>	<b>020PR30X</b> PAR 30 20W max med base	<b>NA</b> None - Line voltage lamp	<b>1</b> 120V	<b>WW</b> White	<b>EM</b> Remotely mounted emergency LED inverter <b>IC</b> Insulated ceiling
<b>VF300 SERIES</b> 4.00" Round Precast Plaster Trimless Aperture Adjustable Downlight New Construction Housing					

Order Example: **VF3R-1BA-S-020PR30X-NA-1-WW-IC**

