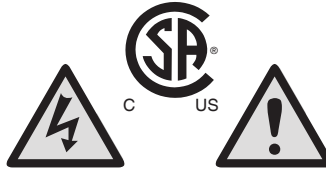


## INSTALLATION INSTRUCTIONS

### Warnings:

- \* Risk of fire or electric shock.
- \* **Disconnect all power before installing or servicing.**
- \* Installation Instructions for qualified electricians only.
- \* Install per National Electrical Code and local regulations.
- \* Read Installation Instructions completely before installation.
- \* Failure to follow Installation Instructions may void warranties.



THIS PRODUCT MUST BE INSTALLED IN ACCORDANCE WITH THE APPLICABLE INSTALLATION CODE BY A PERSON FAMILIAR WITH THE CONSTRUCTION AND OPERATION OF THE PRODUCT AND THE HAZARDS INVOLVED.

**Pre-Installation Note:** The trim and housing are packaged and shipped in separate cartons. Set the trim unit aside in a clean and undamaging environment. The trim unit will be put in place after housing / ceiling installation. For joist installations or where wiring access to housing is limited, it is advised to pre-wire the housing with leads before installation.

### Butterfly Mounting (Commercial):

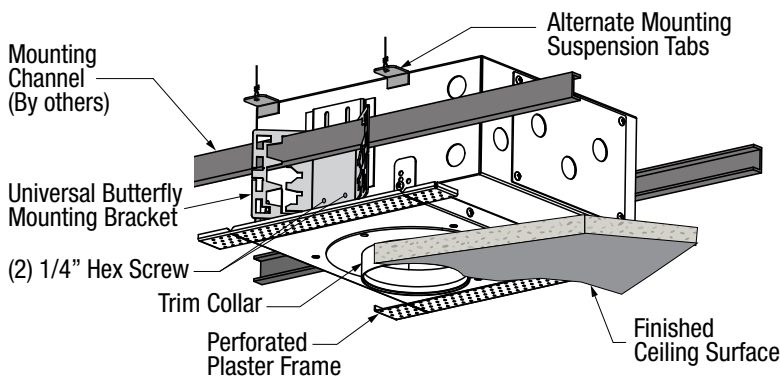
**Step 1.** Fixture comes equipped with Universal BUTTERFLY MOUNTING BRACKETS and take common 1" or 1-1/2" Black Iron or Galvanized MOUNTING CHANNELS (*Supplied By Others*).

**Step 2.** POSITION FIXTURE so the MOUNTING CHANNELS lie on top of ceiling runners.

**Step 3.** Fasten MOUNTING CHANNELS securely to the ceiling runners with wire tie downs.

**Step 4.** Secure MOUNTING CHANNELS to the UNIVERSAL BUTTERFLY MOUNTING BRACKETS with wire tie downs.

**Step 5.** ADJUST ELEVATION OF FIXTURE so that the surface of the PERFORATED HOUSING PLATE SITS FLUSH with the top of the finished ceiling surface. Fine adjustments can be made by loosening the two (2) 1/4" HEX SCREWS on both UNIVERSAL BUTTERFLY MOUNTING BRACKETS and set accordingly **Fig 1**. See FINE CEILING ADJUSTMENT **Fig 4**.



**FIGURE 1**

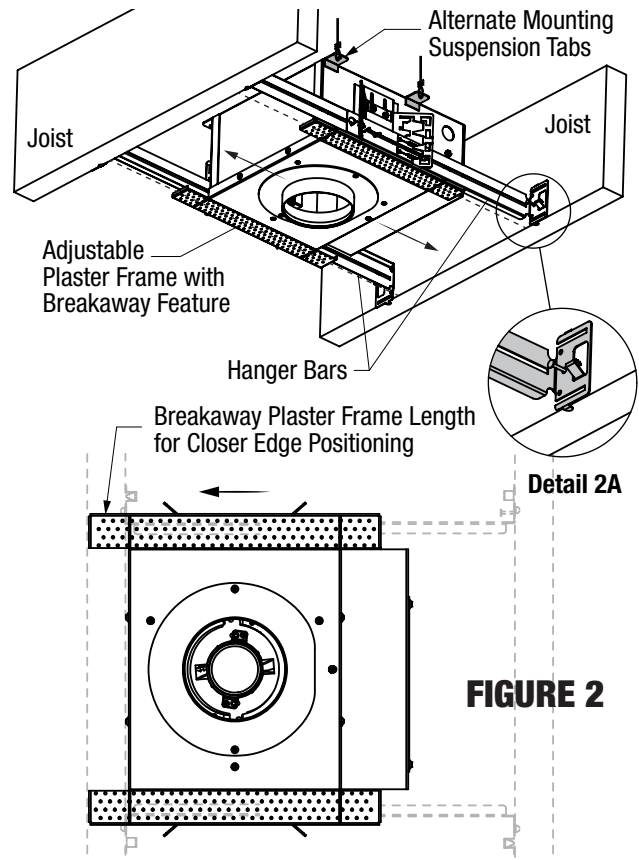
### Joist Installation:

*Includes Heavy-Duty L-Bars™ hanger bar system LF# LBARS4PK*

**Step 1.** Extend HANGER BARS to fit between joist and attach to joist or frame member using appropriate hardware for material. **See Fig 2, Detail 2A.**

**Step 2.** ADJUST ELEVATION OF FIXTURE so that the surface of the PERFORATED HOUSING PLATE SITS FLUSH with the top of the finished ceiling surface. **See Fig 1.**

**Step 3.** Position housing horizontally by sliding on hanger bars. Secure housing in position using wire tie downs. **See Fig 2.**



**FIGURE 2**

***It is IMPORTANT TO READ instruction sheet completely before installation***

# VF100 Series

## ROUND TRIMMED FIXTURE

# INSTALLATION INSTRUCTIONS

### ELECTRICAL CONNECTION:

The housing features an easy access electrical compartment for simplified field wiring installation.

**DO NOT modify the factory wiring settings as it may cause the luminaire to malfunction.**

**Notes:** The cover panel knockouts will accept 3/4" trade size fittings. Review fixture labeling to make sure it is rated for the voltage installation being used.

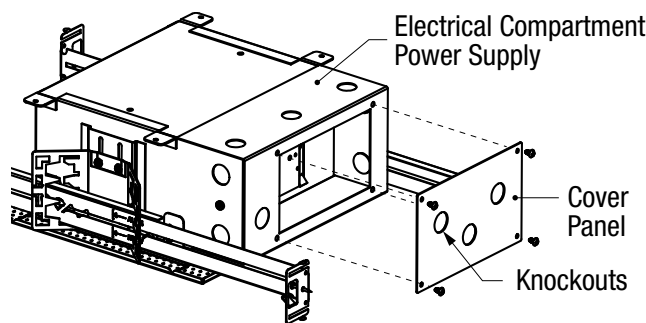
**Step 1.** Provide electrical service according to the "National Electrical Code" or your local electrical regulations from a suitable junction box. Supply wire insulation must be rated for at least 90°C.

**Step 2.** Remove electrical compartment cover panel **Fig 3**.

**Step 3.** Remove appropriate knockout and connect conduit with proper connector (*not included*).

**Step 4.** 120V or 277V AC Supply: Connect white to white, black to black and green (*from electrical service*) to the green copper wire located in the junction box. **Make sure no bare wires are exposed outside wire connectors.**

**Step 5.** Place all connections and excess wiring into the electrical compartment and reattach cover panel **Fig 3**.

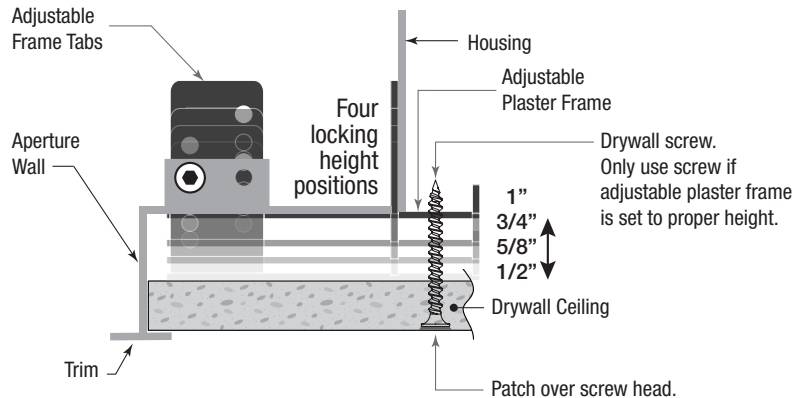


**ELECTRICAL COMPARTMENT**  
**FIGURE 3**

### CEILING INSTALLATION:

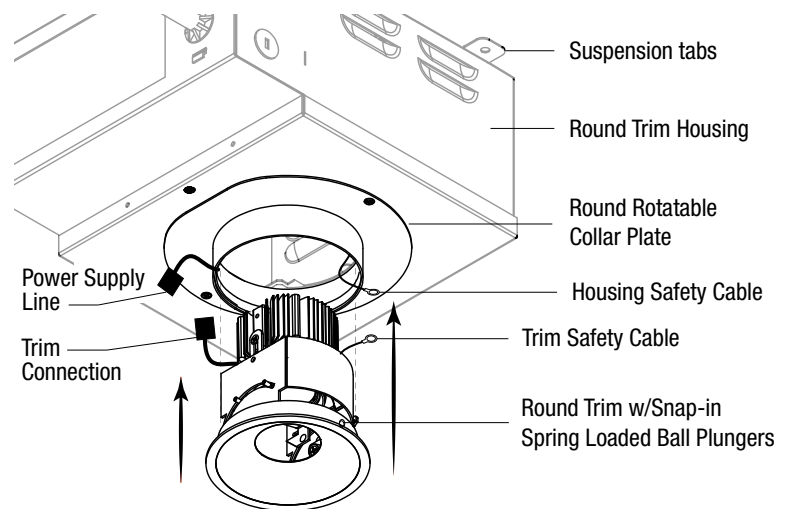
**Step 1.** PLASTER FRAME FINE CEILING ADJUSTMENT accommodates for 1/2", 5/8", 3/4" and 1" ceiling thickness. **See Fig 4.**

**Step 2.** CUT A CLEAN ROUND OPENING in the CEILING MATERIAL to fit the trim collar. Install the ceiling material below housing as shown in **Fig 1. Ceiling Cut-Out - 4.18" Diameter.**



**FINE CEILING ADJUSTMENT**  
**FIGURE 4**

### TRIMMED INSTALLATION ASSEMBLY



**FIGURE 5**



**It is IMPORTANT TO READ instruction sheet completely before installation**

**FIXED TRIM INSTALLATIONS DO NOT REQUIRE THE FOLLOWING STEPS.**

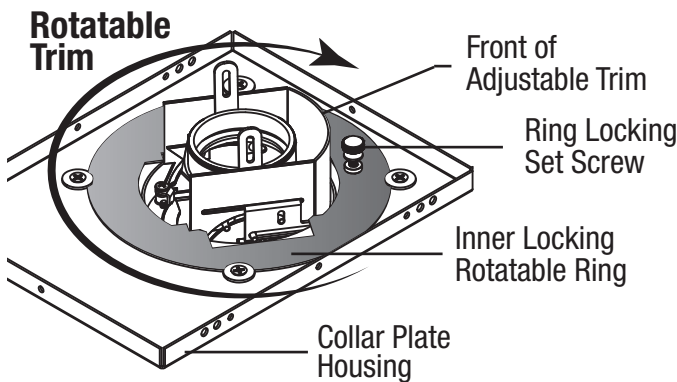
Proceed to "TRIM INSTALLATION - FASTENING TO COLLAR"

**HORIZONTAL ROTATION ADJUSTMENT:**

**Prior to fastening the trimmed fixture.** Take note of the inner collar plate rotating ring. The trim collar ring can be horizontally rotated and set to position prior to final trim installation. The following steps apply to ADJUSTABLE and WALL WASH TRIMS ONLY.

**Step 1.** DO NOT MAKE ANY CONNECTIONS AT THIS TIME. Be sure that the rotating ring set screw is not tightened. Take the trim and place into collar. Horizontally rotate collar to the desired position, remove the trim being careful not to move the collar rotation.

**Step 2.** Reach into the trim collar opening and tighten the ring locking set screw from inside the collar **See Fig 6.**



**FIGURE 6**

**See back panel for HOT AIMING adjustment**

**TRIM INSTALLATION - FASTENING TO COLLAR:**

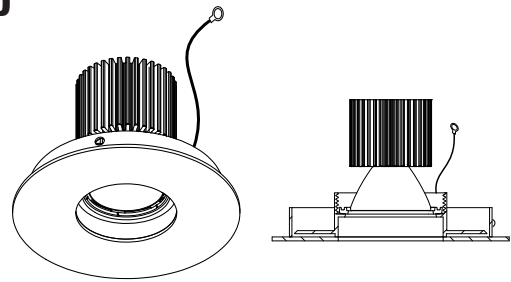
**Step 1.** FOR ALL TRIM APPLICATIONS. Secure safety cable on the trimmed fixture to the safety cable in the housing using the clasp provided.

**Step 2.** Connect the power supply line from the housing to the trim using connections provided.

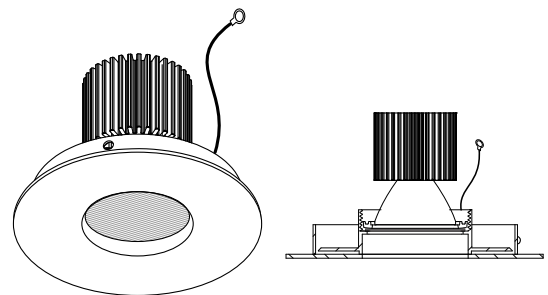
**Step 3.** Push the trim into the housing collar. The spring loaded ball plungers will snap into place **See Fig 5.**

**TRIMMED FIXTURE APPLICATIONS:**

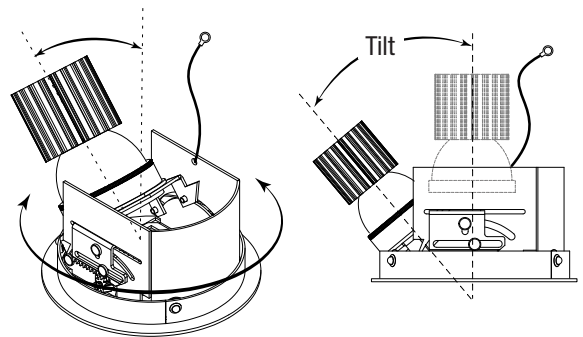
**FIXED**



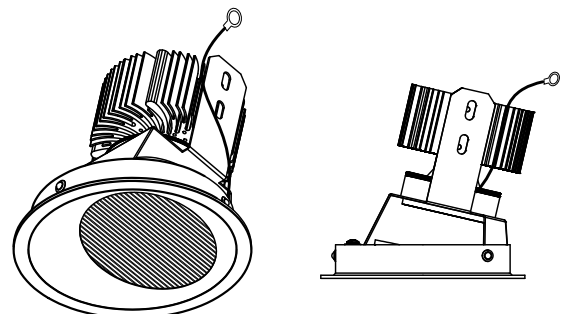
**FIXED SHOWER**



**ADJUSTABLE**



**WALL WASH**



**It is IMPORTANT TO READ instruction sheet completely before installation**



# VF100 Series

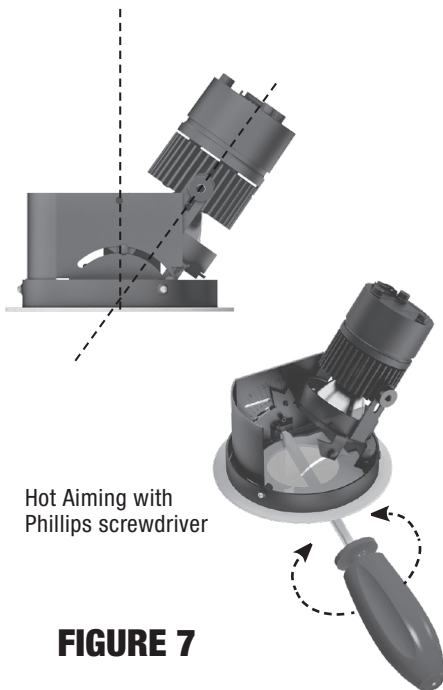
## ROUND TRIMMED FIXTURE

### ADJUSTABLE HOT AIMING

The VF100 adjustable fixtures are offered in trim or trimless versions. The flat trims can adjust from 0° to 40° while the beveled may be adjusted from 0° to 45°. Both styles include HOT AIMING capability to enable the fixture to be aimed with an ordinary Phillips screwdriver while it is powered on. **See Fig 7.**

0° - 40°  
Flat Trims

0° - 45°  
Beveled Trims



**FIGURE 7**

Place screwdriver in through the aperture. Turn the adjusting screw located on the inner sidewall to desired aiming position.

### LED WARNING:

LED's are sensitive electronic components and cannot be subjected to the excessive dust present during the construction process. Under no circumstances should the LED luminaires be used as work lights during the construction process as this will cause irreparably damage to LED.

Only compressed air may be used to blow the dust from the components. The LED and heatsink may not be cleaned with any sort of a liquid or solvent. The COB array may not be touched or dusted. LEDs are ESD (Electro Static Discharge) sensitive devices that can be easily damaged if the proper ESD mitigating steps are not taken. LEDs are sensitive to mechanical damage, caution must be taken to avoid touching the LEDs. ESD or mechanical damage voids all warranties.

### CAUTION:

**ALL WORK MUST BE DONE WITH CIRCUIT OFF AND COMPONENTS SHOULD NOT BE INSTALLED WHEN ENERGIZED.**

***It is IMPORTANT TO READ instruction sheet completely before installation***



©2017 LF ILLUMINATION LLC

We reserve the right to change or withdraw specifications without prior notice.

HEADQUARTERS  
9200 Deering Avenue  
Chatsworth CA 91311

Telephone: 818-885-1335  
Toll Free: 855-885-1335  
Fax: 818-576-1335

[www.lfillumination.com](http://www.lfillumination.com)  
VFR-1BA-T 111517