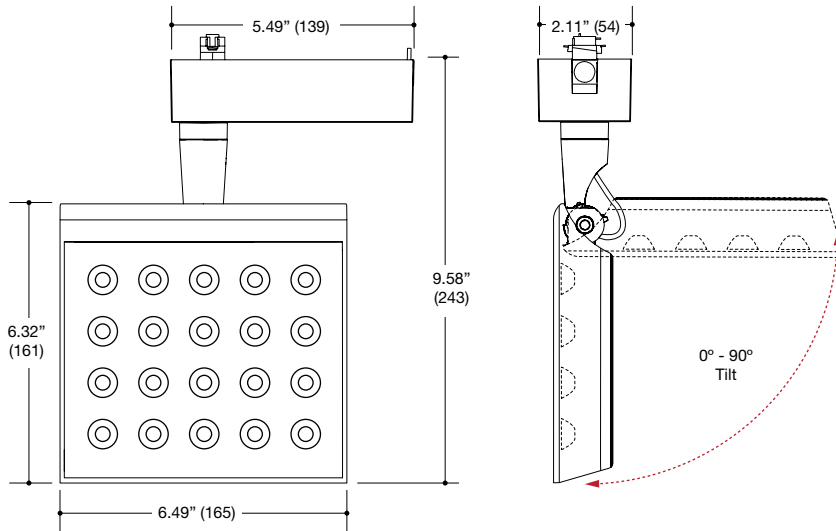


PROJECT	TYPE	CATALOG NUMBER
---------	------	----------------



TRACKHEAD

- 6.49" square trackhead
- 0° - 90° lockable tilt aiming / 360°+ rotation
- Die cast aluminum head and gear housing
- Safety glass lens included
- Powder coat finish

LED SOURCE

- Twenty (20) LED Array
- 46 watts total, 3365 lumens, 80CRI / 3000K
- Available in 2700K, 3000K, 3500 or 4000K color temp
- Narrow (12°), Medium (25°) or Wide (46°) distribution
- 2 Step MacAdams (2 SDMC)

ELECTRICAL

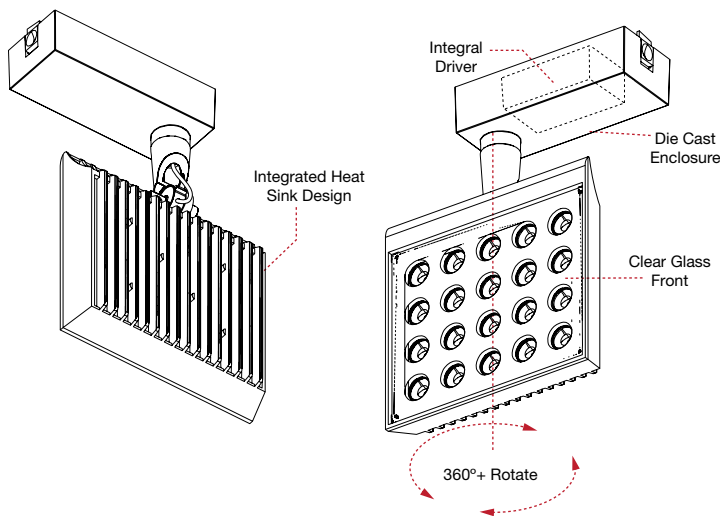
- Integral LED driver
- Dimmable power supply available
- 1 or 2 circuit track compatible

MOUNTING

- Compatible with Halo®, Juno®, or Global® GES track

LABELS

- Suitable for dry location



Halo® is a registered trademark of Cooper Industries, Juno® is a registered trademark of Juno Lighting, Global® is a registered trademark of Nordic Aluminium.

Designed by Franco Mirezi

ORDERING INFO

SERIES	ADAPTER	WATTAGE	CRI / COLOR	BEAM	POWER SUPPLY	VOLTAGE	FINISH
TRA09D PIAZZA Trackhead Die-Cast Aluminum Adjustable	H Halo® compatible	46L 46W LED 3365 lm nom.	8027 80CRI / 2700K	N Narrow 12° M Medium 25° W Wide 46°	LD LED Driver D1 Phase Dimming 120V	1 120V	BB Black WW White
	J Juno® compatible		8030 80CRI / 3000K				
	G Global® GES compatible		8035 80CRI / 3500K				
	M Monopoint		8040 80CRI / 4000K				
			9027 90CRI / 2700K				
			9030 90CRI / 3000K				
			9727 97CRI / 2700K				
			9730 97CRI / 3000K				

Ordering Example: **TRA09D-H-46L-8027-N-ED-1-WW**

©2013 LF ILLUMINATION LLC

We reserve the right to change or withdraw specifications without prior notice.

HEADQUARTERS
9200 Deering Avenue
Chatsworth CA 91311

Telephone: 818-885-1335
Toll Free: 855-885-1335
Fax: 818-576-1335

www.lfillumination.com
rev: 112014

2STEP
MacAdams

5 YEAR
WARRANTY
Limited

