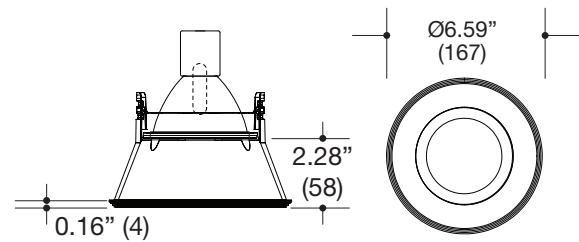
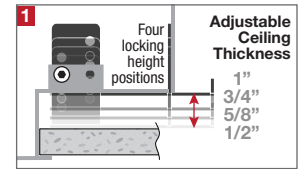
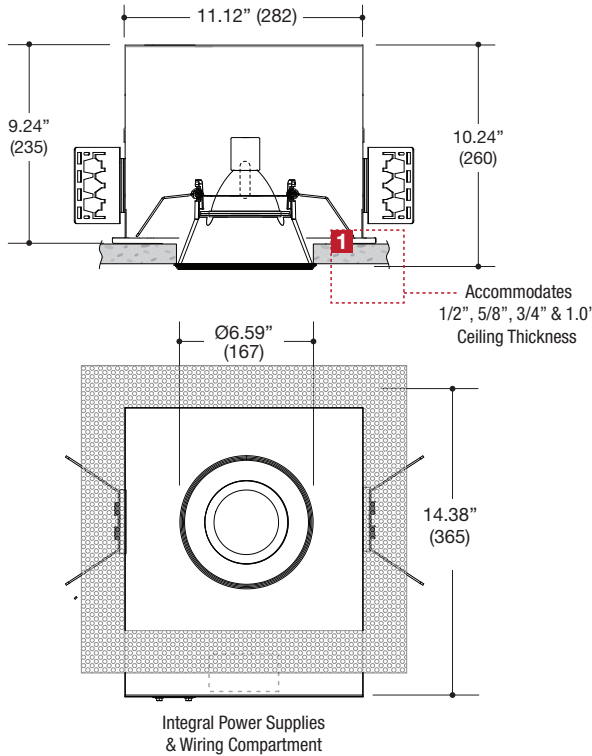


PROJECT	TYPE	CATALOG NUMBER
---------	------	----------------



#### ROUND FIXED DOWNLIGHT

- 6.59" round recessed fixed downlight
- Die-cast aluminum trim
- Deep 2.28" regress for greater cut-off
- .21" Micro-Trim provides a very clean finished look
- Powder coat finish

#### HOUSING

- All steel construction
- Powder coat finish
- **Ceiling Cut-Out - Ø6.25"**

#### LAMPS (not included)

- T4 / T6 G12 20W, 39W, or 70W
- Integral aluminum reflectors in narrow, medium, and wide beams
- Accepts up to 2 or more optical accessories dependent on lamp

#### ELECTRICAL

- Integral metal halide ballast
- Electrical wiring compartment integrated into housing construction
- Thermal protection
- Easy maintenance access through ceiling opening
- Rated for through-branch wiring

#### MOUNTING

- Butterfly brackets for commercial installation in drywall, wood, stone, acoustic tile, or other ceiling types
- Perforated plate adjusts for 1/2", 5/8", 3/4" & 1.0" ceiling thickness
- Heavy-Duty **L-Bars™** hanger bar system ordered separately **LF #LBARS4PK**

#### LABELS

- Suitable for damp location

Patent Pending



#### ORDERING INFO

SERIES	WATTAGE	BEAM	POWER SUPPLY	VOLTAGE	FINISH	OPTIONS
<b>6311-1DN-T</b>	<b>020T6G1</b> T4/T6 G12 20W <b>039T6G1</b> T4/T6 G12 39W <b>070T6G1</b> T4/T6 G12 70W	<b>N</b> Narrow <b>M</b> Medium <b>W</b> Wide	<b>EB</b> Electronic Metal Halide Ballast	<b>1</b> 120V <b>U</b> 120-277V	<b>BB</b> Black <b>WW</b> White	<b>CP</b> Chicago Plenum <b>EM</b> Emergency Relay
<b>MOLI Recessed</b> Die-Cast Aluminum Trim Fixed Downlight Micro-Trim Fixture New Construction Housing						

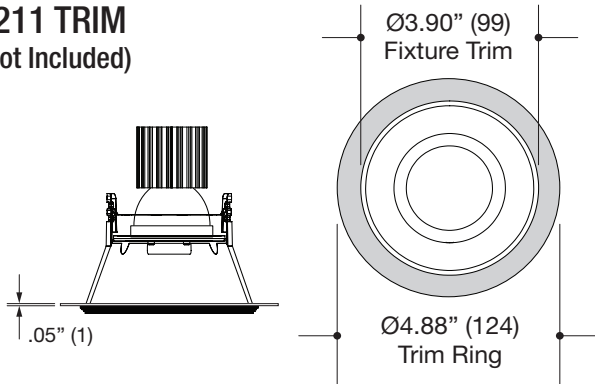
Ordering Example: **6311-1DN-T-020T6G1-N-EB-1-BB-CP**

**MICRO-TRIM**

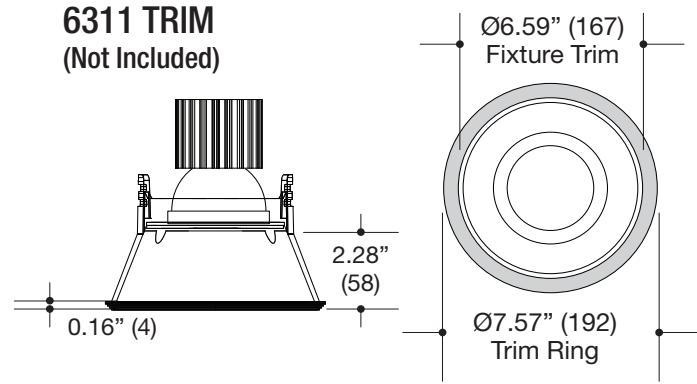
**COVER RING**

PROJECT	TYPE	CATALOG NUMBER
---------	------	----------------

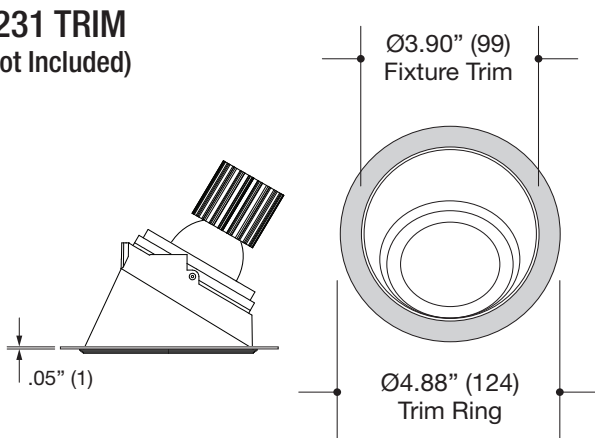
**6211 TRIM**  
(Not Included)



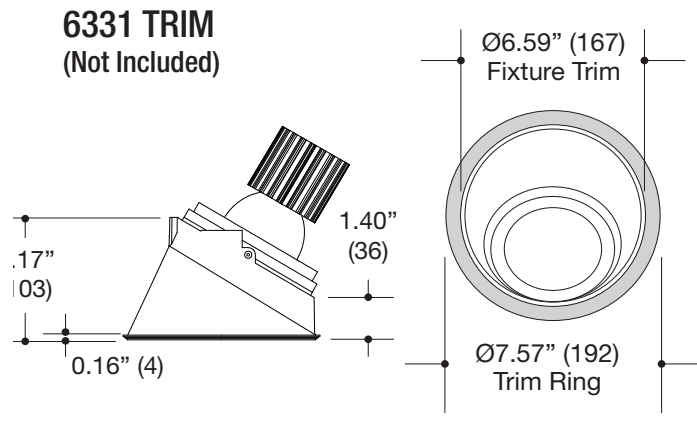
**6311 TRIM**  
(Not Included)



**6231 TRIM**  
(Not Included)



**6331 TRIM**  
(Not Included)



**MINI / SMALL HOUSING TRIMS**

**LARGE HOUSING TRIMS**

## Specifications

## Specifications

**ROUND MICRO-TRIM APPLICATION**

- 4.88" diameter trim ring
- .05" steel construction
- #6211 and #6231 Trim Compatible
- Powder coat finish

**ROUND MICRO-TRIM APPLICATION**

- 7.57" diameter trim ring
- .05" steel construction
- #6311 and #6331 Trim Compatible
- Powder coat finish

**ORDERING INFO**

SERIES	FINISH
<b>62X1-CVRING</b>	<b>BB</b> Black <b>WW</b> White
<b>MOLI Recessed</b> Mini / Small Round Cover Ring	

Ordering Example: **62X1-CVRING**

**ORDERING INFO**

SERIES	FINISH
<b>63X1-CVRING</b>	<b>BB</b> Black <b>WW</b> White
<b>MOLI Recessed</b> Large Round Cover Ring	

Ordering Example: **63X1-CVRING**

**Warnings:**

- \* Risk of fire or electric shock.
- \* **Disconnect all power before installing or servicing.**
- \* Installation Instructions for qualified electricians only.
- \* Install per National Electrical Code and local regulations.
- \* Read Installation Instructions completely before installation.
- \* Failure to follow Installation Instructions may void warranties.



THIS PRODUCT MUST BE INSTALLED IN ACCORDANCE WITH THE APPLICABLE INSTALLATION CODE BY A PERSON FAMILIAR WITH THE CONSTRUCTION AND OPERATION OF THE PRODUCT AND THE HAZARDS INVOLVED.

**CEILING DRYWALL PREPARATION:**

**STEP 1.** Per the below sizes and trim types. **PRECISELY** cut-out the correct hole in the ceiling. This fixture features a “Micro-Trim” which is a minimal trim and has a very small overlap so a precise cut-out is critical. If the ceiling is cut-out too large for the trim, then joint compound/mud may be used to reduce the hole size to the correct dimension. Alternatively flange rings are available (*See back page*).



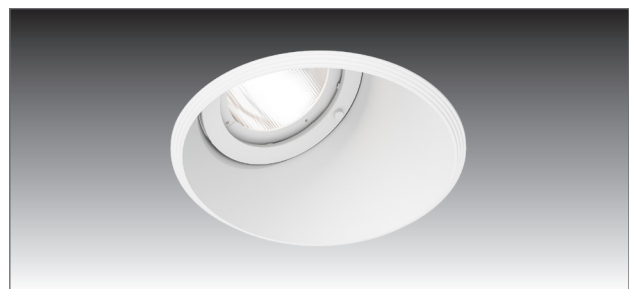
**6211-1AA-T (Mini)      CUT-OUT: 3.83” (97.28mm)**  
**6211-1BA-T (Small)**



**6311-1DN-T (Large)      CUT-OUT: 6.25” (158.75mm)**



**6231-1AA-T (Mini)      CUT-OUT: 3.83” (97.28mm)**  
**6231-1BA-T (Small)**



**6331-1DN-T (Large)      CUT-OUT: 6.25” (158.75mm)**