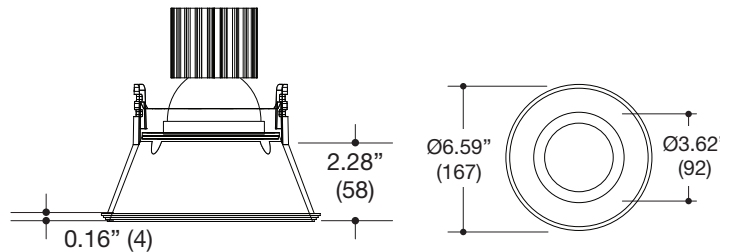
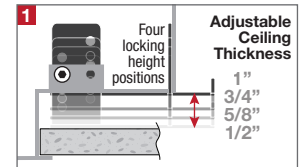
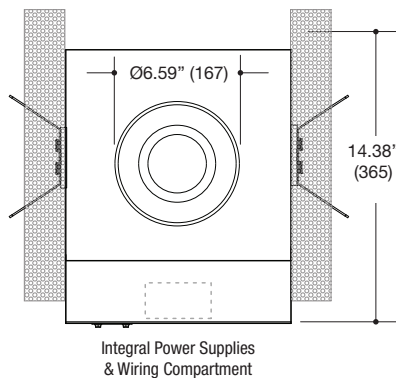
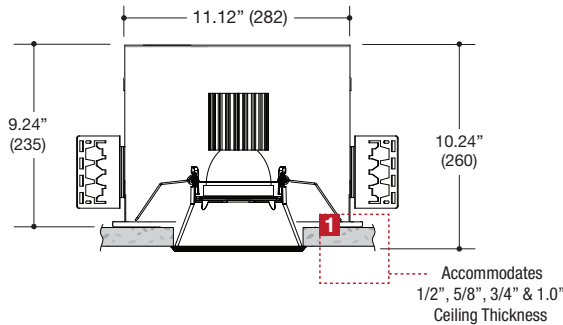


PROJECT	TYPE	CATALOG NUMBER
---------	------	----------------



### ROUND FIXED DOWNLIGHT

- 6.59" round recessed fixed downlight
- Die-cast aluminum trim
- Deep 2.28" regress for greater cut-off
- .21" Micro-Trim provides a very clean finished look
- Powder coat finish

### HOUSING

- All steel construction
- Powder coat finish
- **Ceiling Cut-Out - Ø6.25"**

### LED SOURCE

- Field-replaceable integral LED module and optic
- 22W / 2200lm, 80CRI / 3000K
- 34W / 2800lm, 80CRI / 3000K
- Accepts up to 2 or more optical accessories

### ELECTRICAL

- Field-replaceable Integral LED driver
- Electrical wiring compartment integrated into housing construction
- Thermal protection
- Easy maintenance access through ceiling opening
- Rated for through-branch wiring
- Dimmable

### MOUNTING

- Butterfly brackets for commercial installation in drywall, wood, stone, acoustic tile, or other ceiling types
- Perforated plate adjusts for 1/2", 5/8", 3/4" & 1.0" ceiling thickness
- Heavy-Duty **L-Bars™** hanger bar system ordered separately  
**LF #LBARS4PK**

### LABELS

- Suitable for damp location

**Patent Pending**

**5 YEAR  
WARRANTY**  
Limited



### ORDERING INFO

SERIES	WATTAGE	CRI / COLOR	BEAM	DRIVER	VOLTAGE	FINISH	OPTIONS
<b>6311-1DN-T</b>	<b>22L</b> 22W LED 2200 lm nom.	<b>8027</b> 80CRI / 2700K <b>8030</b> 80CRI / 3000K <b>8035</b> 80CRI / 3500K <b>8040</b> 80CRI / 4000K <b>9027</b> 90CRI / 2700K <b>9030</b> 90CRI / 3000K <b>9727</b> 97CRI / 2700K <b>9730</b> 97CRI / 3000K	<b>N</b> Narrow 17° <b>M</b> Medium 26° <b>W</b> Wide 52°	<b>D1</b> Phase Dimming (120V only) <b>D2</b> 0-10V Dimming (120-277V only) <b>D3</b> Lutron Hi-lume™* Forward Phase 2 wire 1% (120V only) <b>D4</b> Lutron Hi-lume™* EcoSystem™ & 3 wire 1% (120-277V only) <b>DE</b> Lutron Hi-lume™ EcoSystem™* 1% w/Soft-On, Fade-to-Black™ 1% (120-277V only)	<b>1</b> 120V <b>U</b> 120-277V	<b>BB</b> Black <b>WW</b> White	<b>CP</b> Chicago Plenum <b>EM</b> Remotely Mounted Emergency LED Inverter
<b>MOLI Recessed</b> Die-Cast Aluminum Trim Fixed Downlight Micro-Trim Fixture New Construction Housing	<b>34L</b> 34W LED 2800 lm nom.						

Ordering Example: **6311-1DN-T-22L-8027-N-D1-1-BB-CP**

©2016 LF ILLUMINATION LLC

We reserve the right to change or withdraw specifications without prior notice.

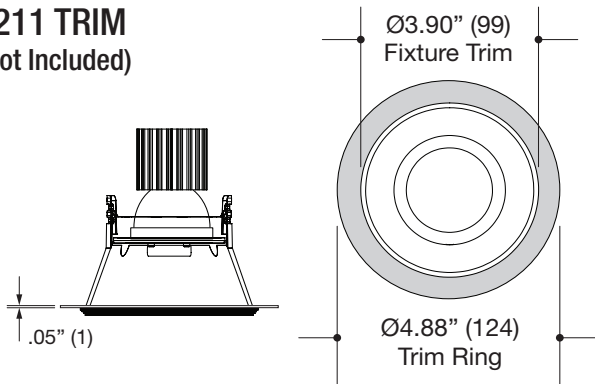
HEADQUARTERS  
9200 Deering Avenue  
Chatsworth CA 91311

Telephone: 818-885-1335  
Toll Free: 855-885-1335  
Fax: 818-576-1335

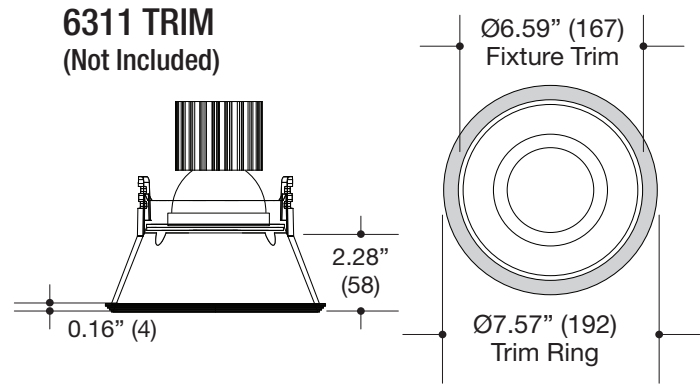
[www.lfillumination.com](http://www.lfillumination.com)  
rev: 110816

PROJECT	TYPE	CATALOG NUMBER
---------	------	----------------

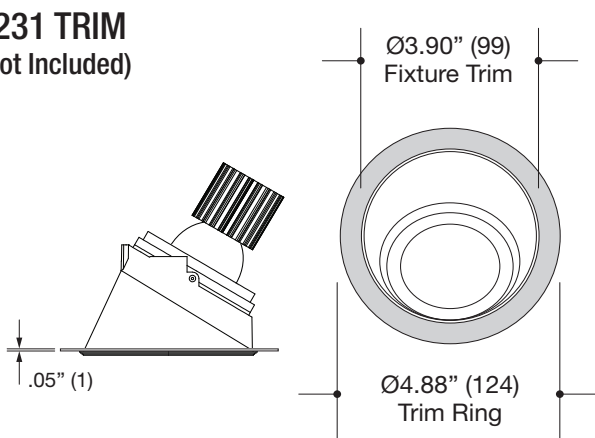
### 6211 TRIM (Not Included)



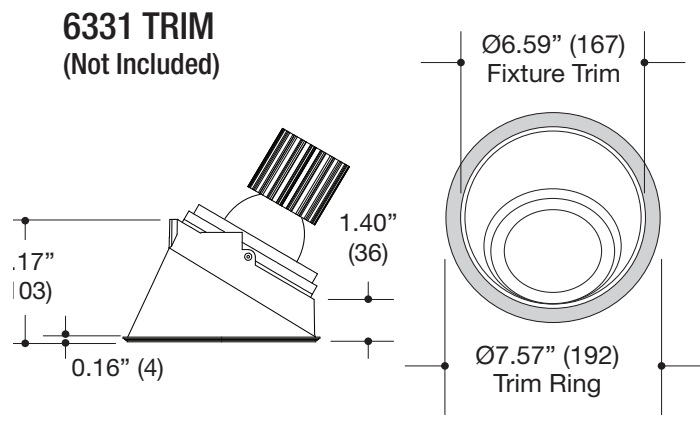
### 6311 TRIM (Not Included)



### 6231 TRIM (Not Included)



### 6331 TRIM (Not Included)



## MINI / SMALL HOUSING TRIMS

## LARGE HOUSING TRIMS

## Specifications

### ROUND MICRO-TRIM APPLICATION

- 4.88" diameter trim ring
- .05" steel construction
- #6211 and #6231 Trim Compatible
- Powder coat finish

### ORDERING INFO

SERIES	FINISH
<b>62X1-CVRING</b>	<b>BB</b> Black <b>WW</b> White
MOLI Recessed Mini / Small Round Cover Ring	

Ordering Example: **62X1-CVRING**

### ROUND MICRO-TRIM APPLICATION

- 7.57" diameter trim ring
- .05" steel construction
- #6311 and #6331 Trim Compatible
- Powder coat finish

### ORDERING INFO

SERIES	FINISH
<b>63X1-CVRING</b>	<b>BB</b> Black <b>WW</b> White
MOLI Recessed Large Round Cover Ring	

Ordering Example: **63X1-CVRING**

**Warnings:**

- \* Risk of fire or electric shock.
- \* **Disconnect all power before installing or servicing.**
- \* Installation Instructions for qualified electricians only.
- \* Install per National Electrical Code and local regulations.
- \* Read Installation Instructions completely before installation.
- \* Failure to follow Installation Instructions may void warranties.



THIS PRODUCT MUST BE INSTALLED IN ACCORDANCE WITH THE APPLICABLE INSTALLATION CODE BY A PERSON FAMILIAR WITH THE CONSTRUCTION AND OPERATION OF THE PRODUCT AND THE HAZARDS INVOLVED.

**CEILING DRYWALL PREPARATION:**

**STEP 1.** Per the below sizes and trim types. **PRECISELY** cut-out the correct hole in the ceiling. This fixture features a “Micro-Trim” which is a minimal trim and has a very small overlap so a precise cut-out is critical. If the ceiling is cut-out too large for the trim, then joint compound/mud may be used to reduce the hole size to the correct dimension. Alternatively flange rings are available (*See back page*).



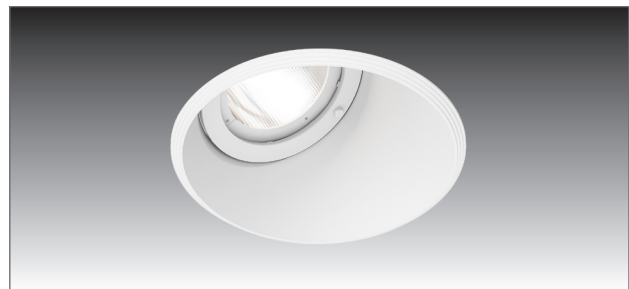
**6211-1AA-T (Mini)      CUT-OUT: 3.83” (97.28mm)**  
**6211-1BA-T (Small)**



**6311-1DN-T (Large)      CUT-OUT: 6.25” (158.75mm)**



**6231-1AA-T (Mini)      CUT-OUT: 3.83” (97.28mm)**  
**6231-1BA-T (Small)**



**6331-1DN-T (Large)      CUT-OUT: 6.25” (158.75mm)**