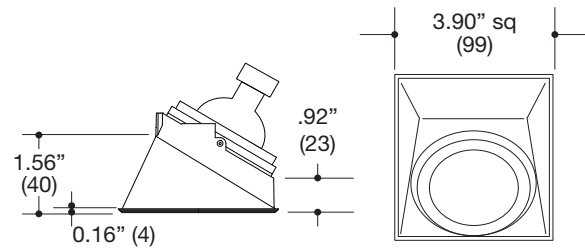
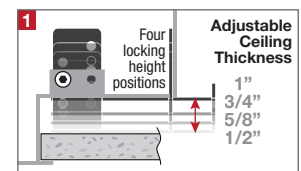
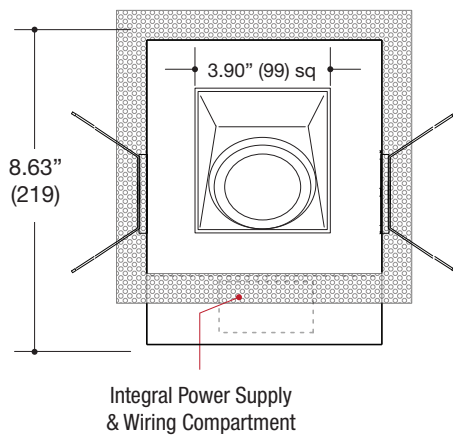
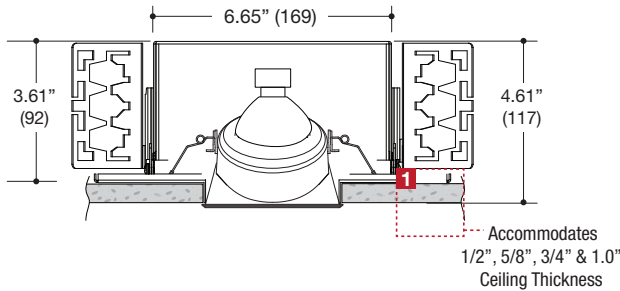


PROJECT	TYPE	CATALOG NUMBER
---------	------	----------------



#### SQUARE FIXED WALLWASH

- 3.90" square recessed wallwash
- Die-cast aluminum trim
- Deep 1.56" regress for greater cut-off
- 0.14" Micro-Trim provides a very clean finished look
- Powder coat finish

#### HOUSING

- All steel construction with powder coat finish
- Air-Tight rated
- **Ceiling Cut-Out - 3.83" X 3.83"**

#### LAMPS (not included)

- 120V MR16 50W max - Derate Labels Available
- LED Retrofit 15W max - Works with SORAA®
- Accepts up to 2 or more optical accessories dependent on lamp

#### ELECTRICAL

- Integral electronic or toroidal transformer, metal halide ballast
- Electrical wiring compartment integrated into housing construction
- Thermal protection
- Easy maintenance access through ceiling opening
- Rated for through-branch wiring
- Dimmable

#### MOUNTING

- Butterfly brackets for commercial installation in drywall, wood, stone, acoustic tile, or other ceiling types
- Perforated plate adjusts for 1/2", 5/8", 3/4" & 1.0" ceiling thickness
- Heavy-Duty **L-Bars™** hanger bar system ordered separately  
**LF #LBARS4PK**

#### LABELS

- Suitable for damp location
- IC rated / Air-Tight / Title 24 Compliant

**Patent Pending**



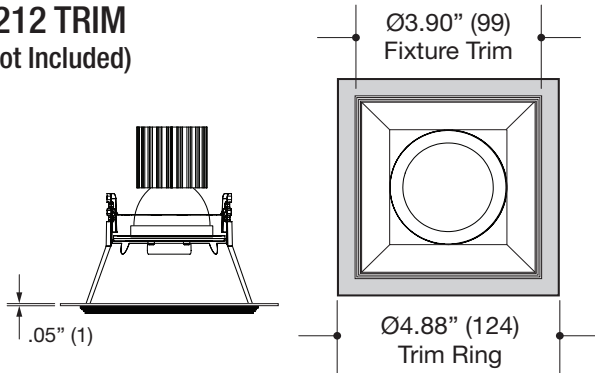
#### ORDERING INFO

SERIES	WATTAGE / LAMP	POWER SUPPLY	VOLTAGE	FINISH	OPTIONS
<b>6232-1AA-T</b>	<b>020MR16X</b> MR16 20W <b>035MR16X</b> MR16 35W <b>050MR16X</b> MR16 50W	<b>ET</b> Electronic Transformer <b>TT</b> Q-Tran Toroidal Transformer	<b>1</b> 120V <b>2</b> 277V	<b>BB</b> Black <b>WW</b> White	<b>CP</b> Chicago Plenum <b>EM</b> Emergency Relay <b>IC</b> Insulated Ceiling (MR16 15W or 20W)
<b>MOLI Recessed</b> Die-Cast Aluminum Trim Wallwash Micro-Trim Fixture New Construction Housing	<b>015MR16X</b> MR16 15W LED Retrofit				

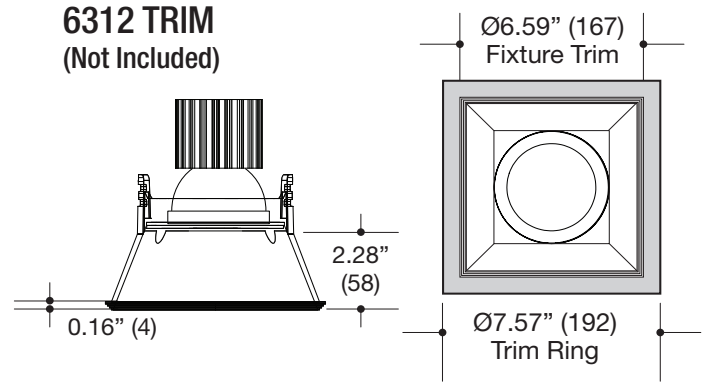
Ordering Example: **6232-1AA-T-050MR16X-ET-1-WW-CP**

PROJECT	TYPE	CATALOG NUMBER
---------	------	----------------

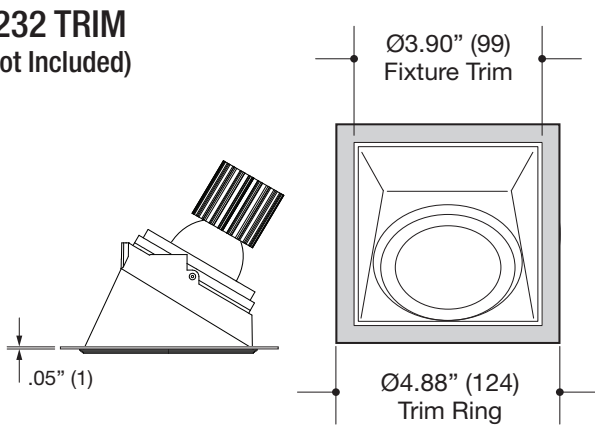
**6212 TRIM**  
(Not Included)



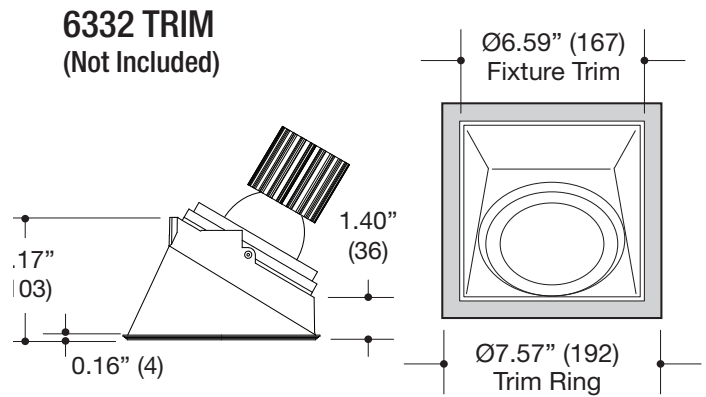
**6312 TRIM**  
(Not Included)



**6232 TRIM**  
(Not Included)



**6332 TRIM**  
(Not Included)



### MINI / SMALL HOUSING TRIMS

### LARGE HOUSING TRIMS

## Specifications

#### SQUARE MICRO-TRIM APPLICATION

- 4.88" square trim ring
- .05" steel construction
- #6212 and #6232 Trim Compatible
- Powder coat finish

#### ORDERING INFO

SERIES	FINISH
<b>62X2-CVRING</b>	<b>BB</b> Black <b>WW</b> White
<b>MOLI Recessed</b> Mini / Small Square Cover Ring	

Ordering Example: **62X2-CVRING**

## Specifications

#### SQUARE MICRO-TRIM APPLICATION

- 7.57" square trim ring
- .05" steel construction
- #6312 and #6332 Trim Compatible
- Powder coat finish

#### ORDERING INFO

SERIES	FINISH
<b>63X2-CVRING</b>	<b>BB</b> Black <b>WW</b> White
<b>MOLI Recessed</b> Large Square Cover Ring	

Ordering Example: **63X2-CVRING**

**Warnings:**

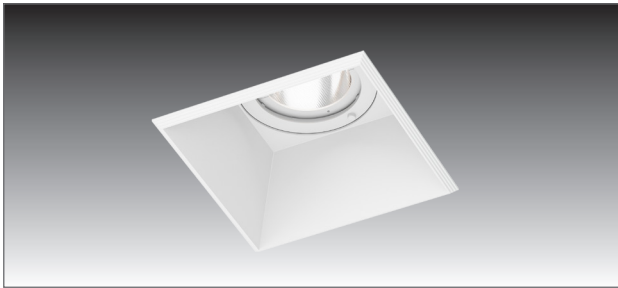
- \* Risk of fire or electric shock.
- \* **Disconnect all power before installing or servicing.**
- \* Installation Instructions for qualified electricians only.
- \* Install per National Electrical Code and local regulations.
- \* Read Installation Instructions completely before installation.
- \* Failure to follow Installation Instructions may void warranties.



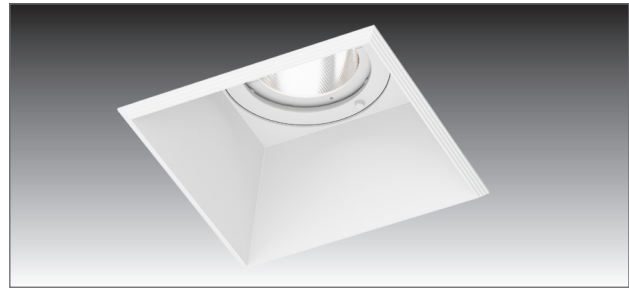
THIS PRODUCT MUST BE INSTALLED IN ACCORDANCE WITH THE APPLICABLE INSTALLATION CODE BY A PERSON FAMILIAR WITH THE CONSTRUCTION AND OPERATION OF THE PRODUCT AND THE HAZARDS INVOLVED.

**CEILING DRYWALL PREPARATION:**

**STEP 1.** Per the below sizes and trim types. **PRECISELY** cut-out the correct hole in the ceiling. This fixture features a “Micro-Trim” which is a minimal trim and has a very small overlap so a precise cut-out is critical. If the ceiling is cut-out too large for the trim, then joint compound/mud may be used to reduce the hole size to the correct dimension. Alternatively flange rings are available (*See back page*).



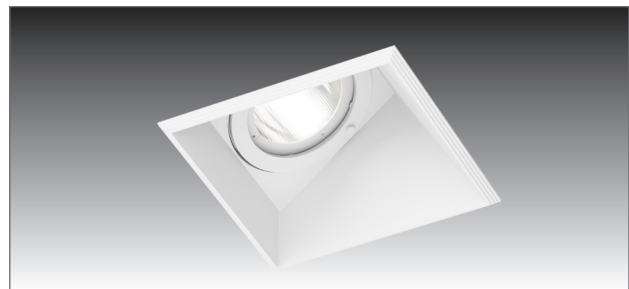
**6212-1AA-T (Mini)      CUT-OUT: 3.83” (97.28mm)**  
**6212-1BA-T (Small)**



**6312-1DN-T (Large)      CUT-OUT: 6.25” (158.75mm)**



**6232-1AA-T (Mini)      CUT-OUT: 3.83” (97.28mm)**  
**6232-1BA-T (Small)**



**6332-1DN-T (Large)      CUT-OUT: 6.25” (158.75mm)**