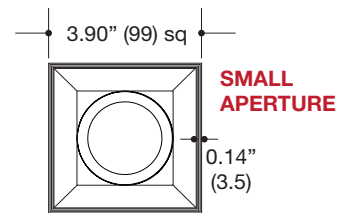
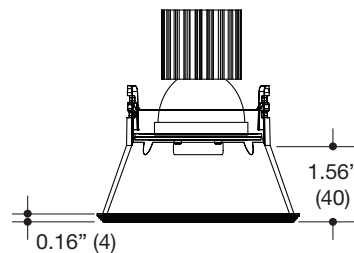
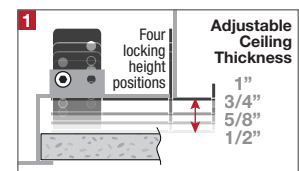
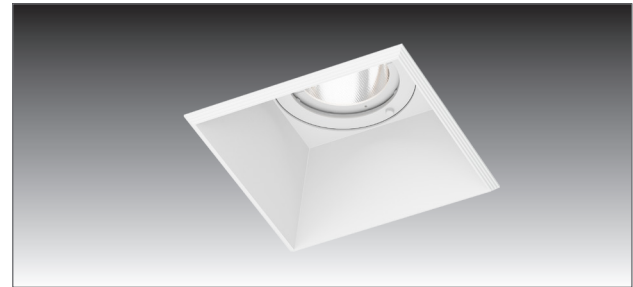
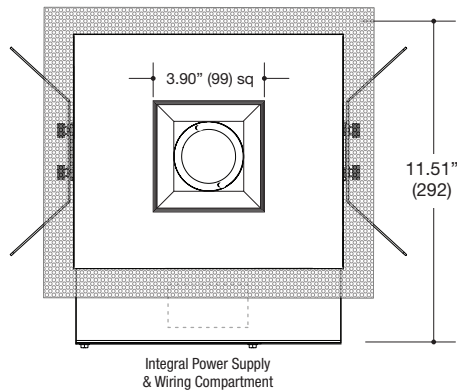
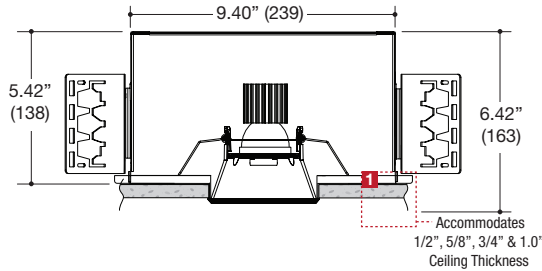


**MICRO-TRIM**

**LED**

**SMALL**

PROJECT	TYPE	CATALOG NUMBER
---------	------	----------------



### SQUARE FIXED DOWNLIGHT

- 3.90" recessed fixed downlight
- Die-cast aluminum trim
- Deep 1.56" regress for greater cut-off
- 0.14" Micro-Trim provides a very clean finished look
- Powder coat finish

### HOUSING

- All steel construction with powder coat finish
- IC rated Air-Tight
- **Ceiling Cut-Out - 3.83" X 3.83"**

### LED SOURCE

- Field-replaceable integral LED module
- Field-changeable optic
- 11W / 825lm, 80CRI / 3000K
- 16W / 1100lm, 80CRI / 3000K
- Accepts up to 2 or more optical accessories

### ELECTRICAL

- Field-replaceable integral LED driver
- Electrical wiring compartment integrated into housing construction
- Thermal protection
- Easy maintenance access through ceiling opening
- Rated for through-branch wiring
- Dimmable

### MOUNTING

- Butterfly brackets for commercial installation in drywall, wood, stone, acoustic tile, or other ceiling types
- Perforated plate adjusts for 1/2", 5/8", 3/4" & 1.0" ceiling thickness
- Heavy-Duty **L-Bars™** hanger bar system ordered separately  
**LF #LBARS4PK**

### LABELS

- Suitable for damp location
- IC rated Air-Tight / Title 24 Compliant

**Patent Pending**

**5 YEAR WARRANTY**  
Limited



### ORDERING INFO

SERIES	WATTAGE	CRI / COLOR	BEAM	DRIVER	VOLTAGE	FINISH	OPTIONS
<b>6212-1BA-T</b>	<b>11L</b> 11W LED 825 lm nom.	<b>8027</b> 80CRI / 2700K <b>8030</b> 80CRI / 3000K <b>8035</b> 80CRI / 3500K <b>8040</b> 80CRI / 4000K	<b>N</b> Narrow 16° <b>M</b> Medium 28° <b>W</b> Wide 42°	<b>D1</b> Phase Dimming (120V only) <b>D2</b> 0-10V Dimming (120-277V only) <b>D3</b> Lutron Hi-lume...* Forward Phase 2 wire 1% (120V only) <b>D4</b> Lutron Hi-lume...* EcoSystem... & 3 wire 1% (120-277V only) <b>DE</b> Lutron Hi-lume... EcoSystem...* 1% w/Soft-On, Fade-to-Black™ 1% (120-277V only)	<b>1</b> 120V <b>U</b> 120-277V	<b>BB</b> Black <b>WW</b> White	<b>CP</b> Chicago Plenum <b>IC</b> Insulated Ceiling <b>EM</b> Remotely Mounted Emergency LED Inverter
<b>MOLI Recessed</b> Die-Cast Aluminum Trim Square Fixed Downlight Micro-Trim Fixture New Construction Housing	<b>16L</b> 16W LED 1100 lm nom.	<b>9027</b> 90CRI / 2700K <b>9030</b> 90CRI / 3000K <b>9727</b> 97CRI / 2700K <b>9730</b> 97CRI / 3000K					

Ordering Example: **6212-1BA-T-16L-8027-N-D1-1-WW-CP**

©2016 LF ILLUMINATION LLC

We reserve the right to change or withdraw specifications without prior notice.

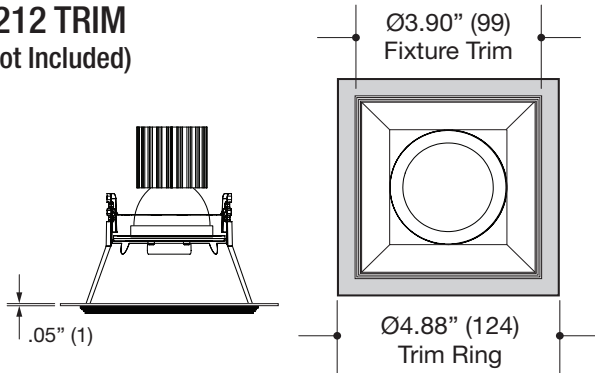
HEADQUARTERS  
9200 Deering Avenue  
Chatsworth CA 91311

Telephone: 818-885-1335  
Toll Free: 855-885-1335  
Fax: 818-576-1335

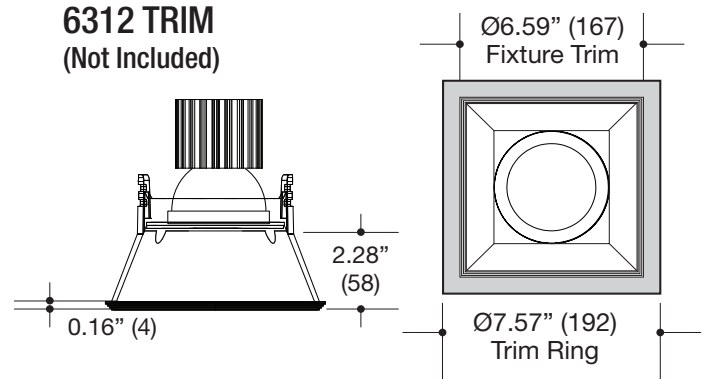
[www.lfillumination.com](http://www.lfillumination.com)  
rev: 110816

PROJECT	TYPE	CATALOG NUMBER
---------	------	----------------

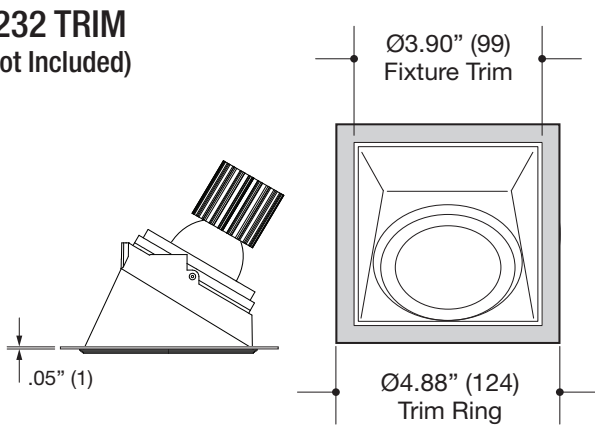
**6212 TRIM**  
(Not Included)



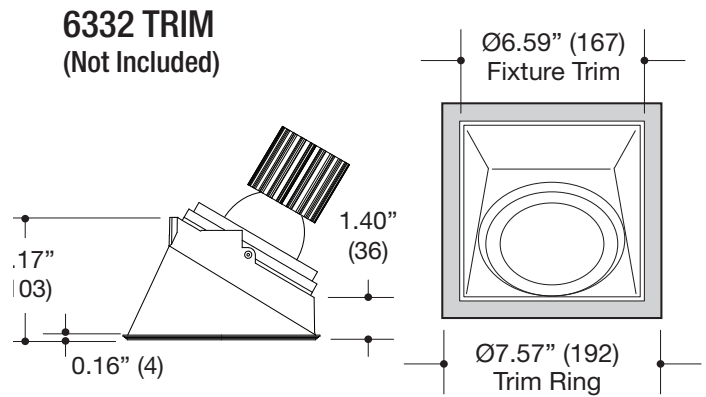
**6312 TRIM**  
(Not Included)



**6232 TRIM**  
(Not Included)



**6332 TRIM**  
(Not Included)



### MINI / SMALL HOUSING TRIMS

### LARGE HOUSING TRIMS

## Specifications

#### SQUARE MICRO-TRIM APPLICATION

- 4.88" square trim ring
- .05" steel construction
- #6212 and #6232 Trim Compatible
- Powder coat finish

#### ORDERING INFO

SERIES	FINISH
<b>62X2-CVRING</b>	<b>BB</b> Black <b>WW</b> White
<b>MOLI Recessed</b> Mini / Small Square Cover Ring	

Ordering Example: **62X2-CVRING**

## Specifications

#### SQUARE MICRO-TRIM APPLICATION

- 7.57" square trim ring
- .05" steel construction
- #6312 and #6332 Trim Compatible
- Powder coat finish

#### ORDERING INFO

SERIES	FINISH
<b>63X2-CVRING</b>	<b>BB</b> Black <b>WW</b> White
<b>MOLI Recessed</b> Large Square Cover Ring	

Ordering Example: **63X2-CVRING**

**Warnings:**

- \* Risk of fire or electric shock.
- \* **Disconnect all power before installing or servicing.**
- \* Installation Instructions for qualified electricians only.
- \* Install per National Electrical Code and local regulations.
- \* Read Installation Instructions completely before installation.
- \* Failure to follow Installation Instructions may void warranties.



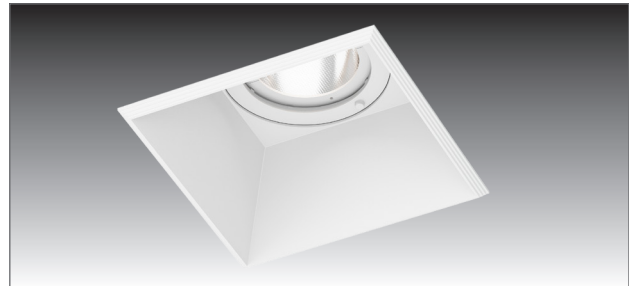
THIS PRODUCT MUST BE INSTALLED IN ACCORDANCE WITH THE APPLICABLE INSTALLATION CODE BY A PERSON FAMILIAR WITH THE CONSTRUCTION AND OPERATION OF THE PRODUCT AND THE HAZARDS INVOLVED.

**CEILING DRYWALL PREPARATION:**

**STEP 1.** Per the below sizes and trim types. **PRECISELY** cut-out the correct hole in the ceiling. This fixture features a “Micro-Trim” which is a minimal trim and has a very small overlap so a precise cut-out is critical. If the ceiling is cut-out too large for the trim, then joint compound/mud may be used to reduce the hole size to the correct dimension. Alternatively flange rings are available (*See back page*).



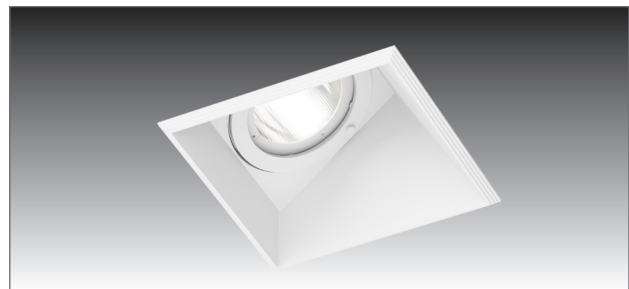
**6212-1AA-T (Mini)      CUT-OUT: 3.83” (97.28mm)**  
**6212-1BA-T (Small)**



**6312-1DN-T (Large)      CUT-OUT: 6.25” (158.75mm)**



**6232-1AA-T (Mini)      CUT-OUT: 3.83” (97.28mm)**  
**6232-1BA-T (Small)**



**6332-1DN-T (Large)      CUT-OUT: 6.25” (158.75mm)**